

STN Backlight Bulb Replacement

Background

This document describes the procedure to replace the backlight bulbs (model number BLR-6060) in P2, P3, P4, and P5 STN PowerStations.

Warning Observe normal precautions against static discharge to prevent damage to the PowerStation or the backlight assembly

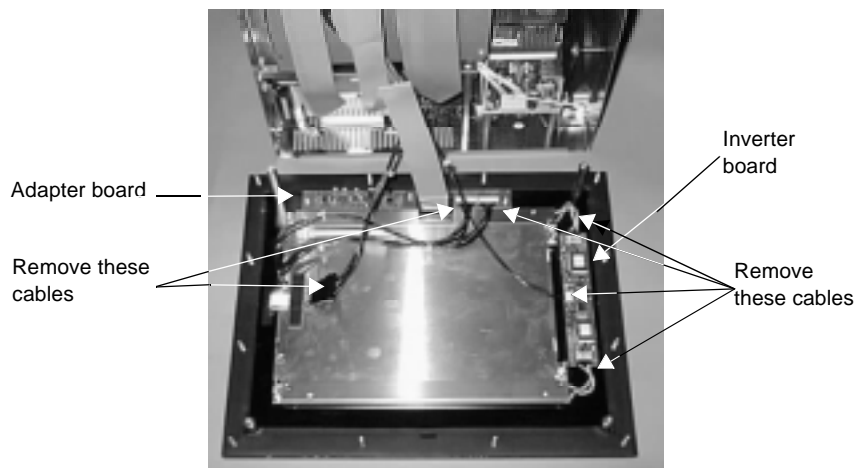
Before beginning the procedure, turn off the unit, and disconnect the PowerStation from the power source. You must also remove the unit from its enclosure (if installed) to gain access to the display. Consult the PowerStation Installation Instructions if you need help with the removal.

This Procedure requires the following tools:

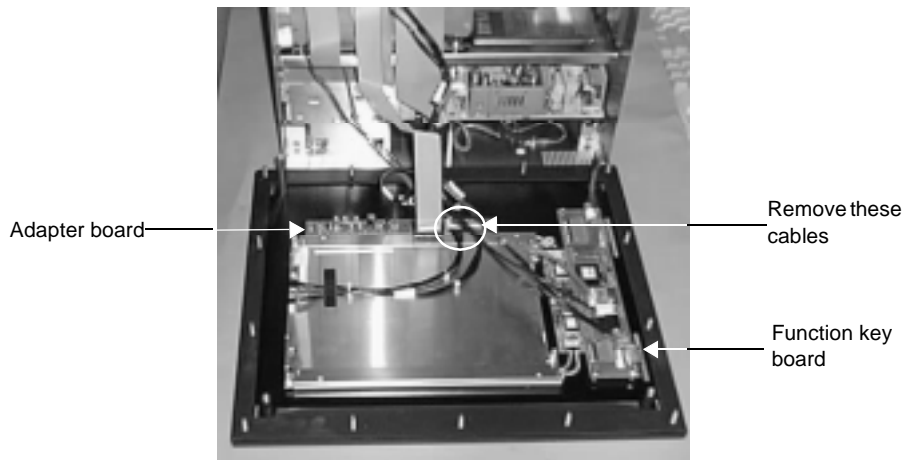
- Slotted head (#2) screwdriver
- Phillips head (#0) screwdriver
- Quarter inch nutdriver.

Removing the Backshell

1. Unscrew the four large captive backshell screws located at each corner of the PowerStation.
2. Lift the backshell off the faceplate far enough to gain access to the internal cables. See the picture below for the location of the cable connectors.



Non-Function Key PowerStation



Function Key PowerStation

3. Remove the cables indicated in the figures above. If you have a function key unit, see the figure on this page, if you have a non-function key unit, please see the figure on the previous page.

Important There are two cables on the adapter board that have identical connectors, please make a note of which wire belongs on which connector when you remove the wires.

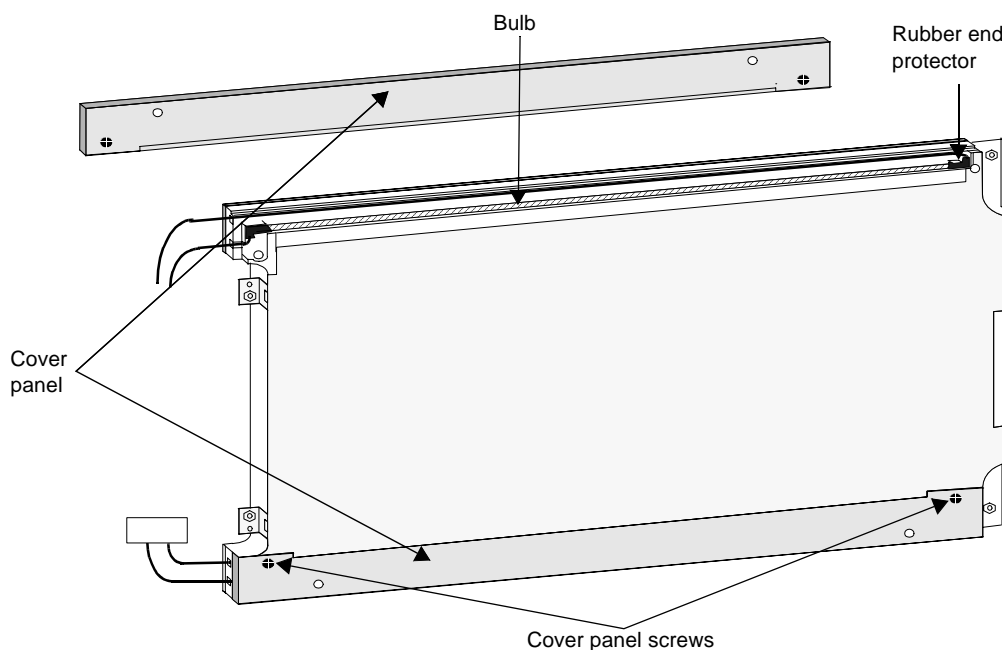
4. Clear the remaining wires from above the backlight unit so that you have access to the bulb covers.
5. Remove the screws holding the adapter board in place, and set the board to the side. For the location of the adapter board, see the previous figures.

Important Do not touch any of the exposed components on the backlight display, or damage to equipment may result.

Removing the Bulb

Use the following instructions to remove the bulb.

1. Unplug the bulb cables from the inverter board. See the picture on the previous page for the location of the inverter board.
2. Remove the two screws holding the cover panel to the display. See the following figure for the locations of the screws.



Caution The screws holding the cover panels to the display are very small; do not lose them.

3. Lift the cover panel away from the display.
4. Pull up on the bulb connector wires. This pulls the bulb out of its slot.
5. Discard the bulb.
6. Proceed to the section titled *Replacing the Bulb*, and finish work on one bulb before starting the second.

Replacing the Bulb

Use the following instructions to replace the bulb.

1. Take the replacement bulb out of the box.
2. Place the replacement bulb into the bulb slot in the backlight assembly. Be sure to place the longer wire in the cable slot nearest to the edge of the display.
3. Place the wires over the wire slots, and gently run your finger over them to push them into place.

Caution Do not use a screwdriver to push the wires into the wire slots, damage to the bulb may occur.

4. Replace the cover panel. The panel should fit snugly with the screw holes lined up.
5. Screw the cover panel to the backlight display with the screws removed in step 2 of the section titled *Removing the Bulb*.
6. Connect the bulb connector to the inverter board. The connector will only fit in the correct position. See the picture on page 1 for the location of the inverter board.
7. Repeat all steps of the sections *Removing the Bulb* and *Replacing the Bulb* for the second bulb.

Replacing the Backshell

1. Reconnect the cables that were removed in the section *Removing the Backshell*. See the figures on page 1 or 2 for location of those cables.

Important The two cables attached to the adapter board have identical connectors. Be sure to place the cable with tag number 9741 into the p1 slot, and the cable with tag number 9742 into the p2 slot.

2. Replace the backshell onto the front of the PowerStation making sure you do not pinch the backshell ribbon cable.
3. Secure the backshell with the four backshell screws.
4. Reconnect the power cord to the PowerStation.
5. Turn on the PowerStation, and resume operation.