

---

# OKIDATA 120 Product Update

---

## Near Letter Quality (NLQ) Added

NLQ gives you sharp, crisp print for your correspondence and other important documents. Each line is printed twice; the second pass fills in spaces between the dots to create more solid characters. You can activate this feature in two ways: through your printer's control panel or with programming commands.

**NOTE:** NLQ cannot be combined with the following features: superscript, subscript, 17.1 cpi, 8.5 cpi, emphasized, or enhanced print.

**Using the control panel:** With the printer OFF, hold down the FORM FEED button and turn the printer ON. The printer will print everything in NLQ until you either turn it OFF or cancel NLQ with the code explained below.

**Using programming commands:** You can switch between Utility and NLQ printing by using the codes listed below.

Function	ASCII	Decimal	Hexadecimal
Near Letter Quality mode	ESC 1	27 49	1B 31
Utility mode	ESC 0	27 48	1B 30

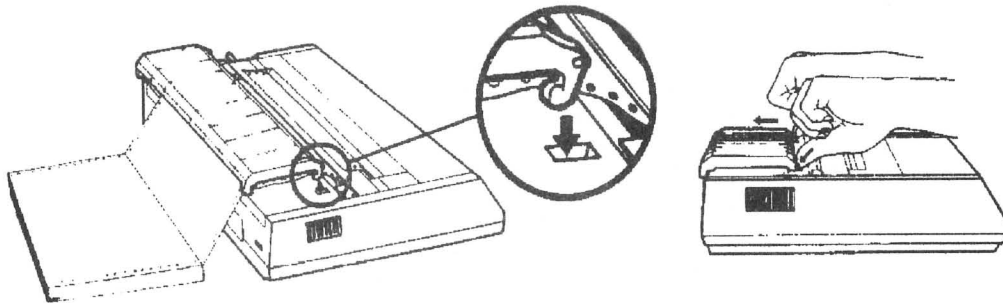
## Bail Lever Added

We've added a lever on the top left of the printer that lets you open and close the paper bail without taking off the access cover. Pull the lever forward to open the bail when you're loading paper, then push it back to close the bail for printing.

## Paper Separator Added

A new paper separator is included with your printer to make continuous-form rear paper feeding even smoother. To install it just put the tabs into the slots on the

top of the cabinet and push the tabs down and toward the back of the printer as shown below.



Here's how to use it for rear feeding:

1. On the underside of the separator, you'll see a metal rod and two paper guides. Move the guides to the far ends of the rod.
2. Insert the paper between the rod and the separator, then between the separator and the top of the printer.
3. Feed the paper around the platen and set it on the sprocket pins as described in your printer handbook. Make sure that the pins are centered in the paper holes. If the pins push against the outside edge of the paper holes, the paper may not feed properly. Be sure that the paper release lever is in the continuous-forms (forward) position.
4. Move the paper guides in until the flanges are close to the edges of the paper, but not touching them, so the paper doesn't bind. The guides will help keep the paper straight as it feeds into the printer.
5. Lower the wire guide to prevent paper from winding back into the printer.

## Supplies and Accessories

As a member of OKIDATA's family of personal printers, your OKIDATA 120 will accept ribbons and options available for some of OKIDATA's other printers.

If your dealer is temporarily out of ribbons, for example, you can buy them at any computer specialty store that sells OKIDATA products. The self-inking, "clean-hands" ribbon cartridge (Stock No. 52102001) fits the OKIDATA 120 as well as the MICROLINE 182, 183, 192 and 193 printers. It has a suggested list price of \$8.95.

To meet special paper handling needs, the OKIDATA 120 will accept optional products available for our popular MICROLINE 182 and 192 printers. Although these products are not sold through the retail store where you bought your OKIDATA 120 printer, you can buy them at your local computer specialty store.

For the name and address of the authorized OKIDATA dealer nearest you, call our toll-free customer service line at 1-800-OKIDATA.

The following options are available:

Description	Stock Number	Suggested List Price
Tractor Feed Kit: Designed for handling narrow-width continuous forms, labels, and paper. Kit includes tractor feed unit, a new access cover, acoustic cover, and instructions.	70004401	\$45
Roll Paper Stand: Designed for heavy-duty use of roll paper. Will handle single-part roll paper.	70007701	\$33