

ATTACHMENT 1 TO THE TECHNICAL MANUAL

SPAREPARTS CATALOG

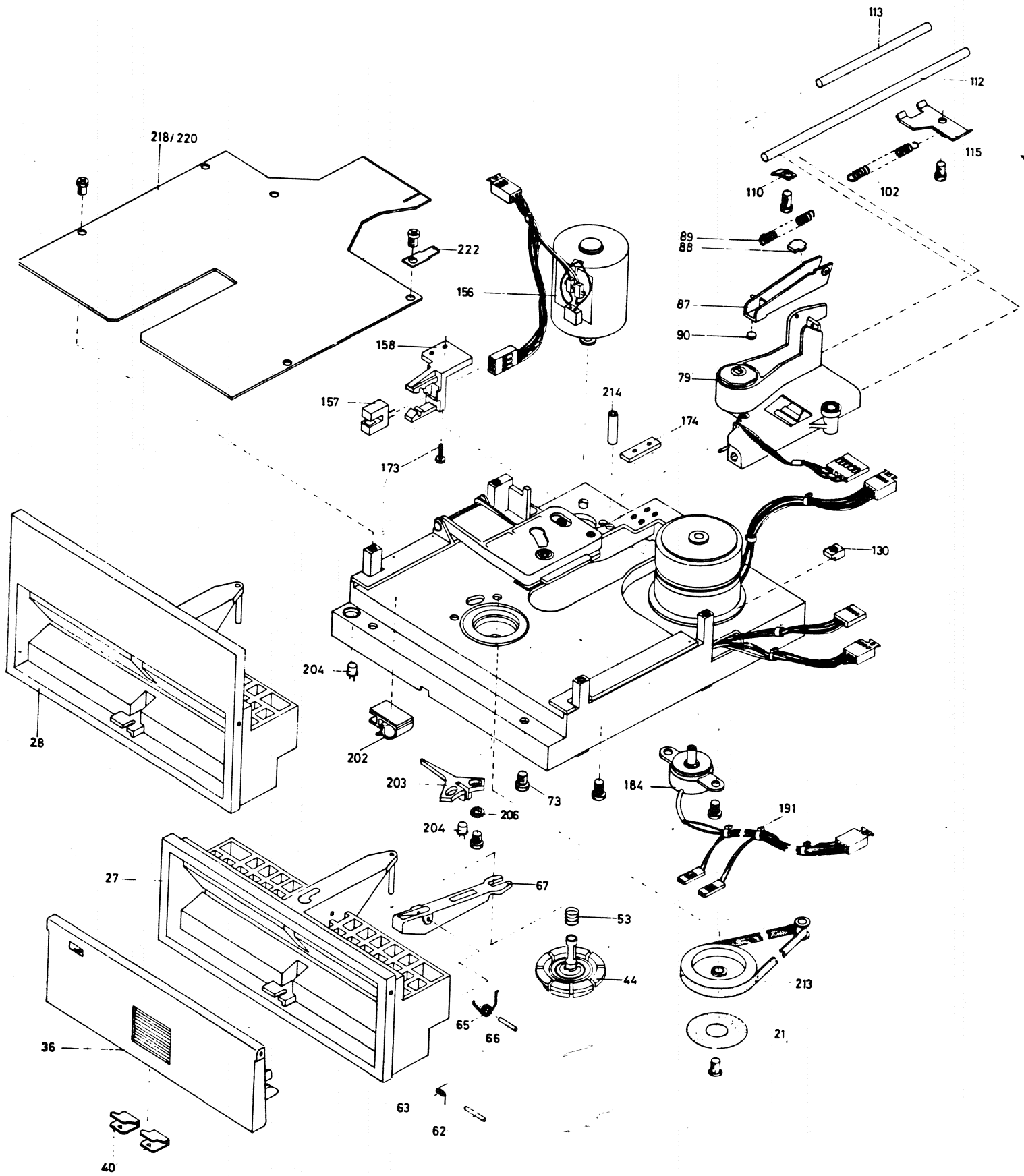
MODEL 6106 MINI DISK DRIVE




IN THE PRESENT SPARE PARTS CATALOG YOU WILL FIND ONLY PARTS AND ASSY-NOS. WHICH WILL BE AVAILBLE AS SPARE PARTS FROM BASF-AG.

Copyright c 1980
by BASF Aktiengesellschaft

Rev.01

Page 1 of 12



-  -60
-  -61
-  -59

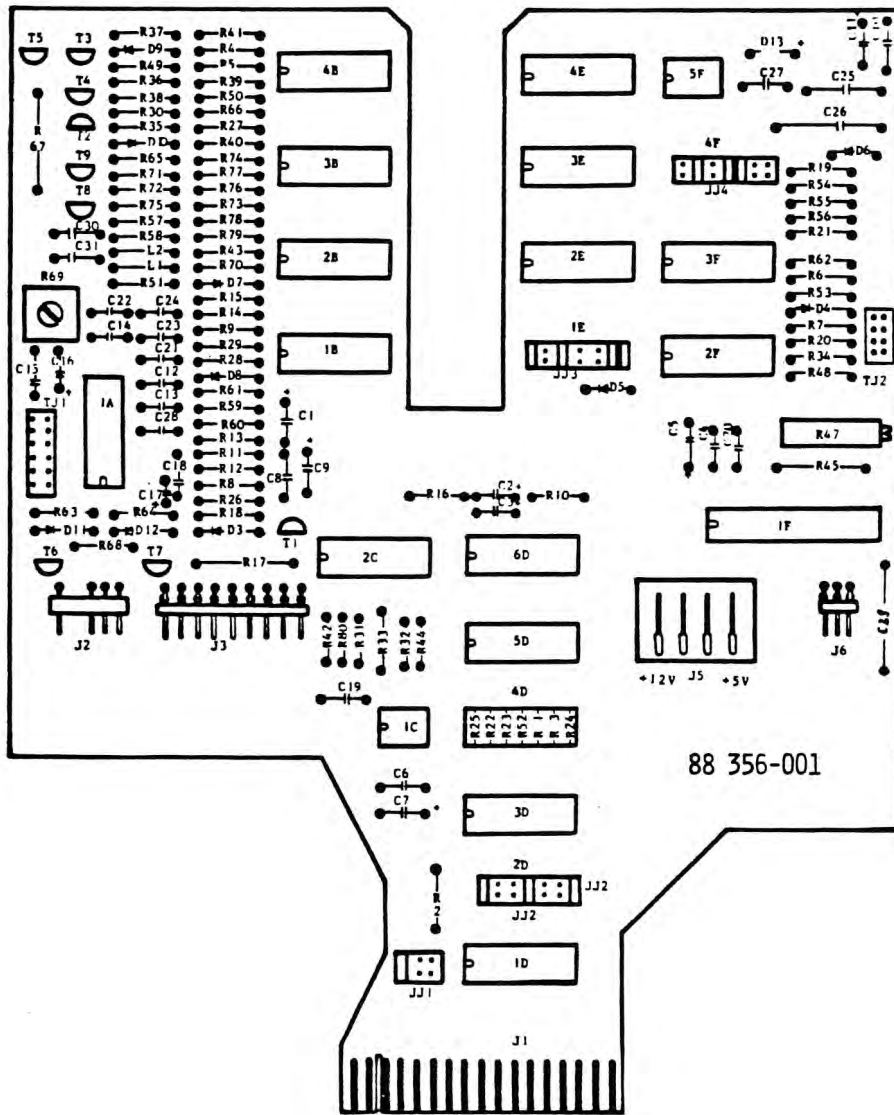
PARTS BEAKDOWN
MOD. 6106

ITEM	PART No.	DESCRIPTION	QTY PER ASSY NO:88 101-4xx					
			01	03	07			
21	88 421-001	LABEL,TACHOSCOPE	1	1	1			
27	88 126-001	ASSY,FRONT CABINETT	1	1	-			
28	88 126-002	ASSY,FRONT CABINETT SHUGART	-	-	1			
36	88 131-001	ASSY,FRONT DOOR	1	1	1			
40	88 233-001	SPRING FOR DISK TRACKING	2	2	2			
44	88 129-002	ASSY,CONE THRUST	1	1	1			
53	88 404-002	SPRING,COMPRESSION ϕ 8	1	1	1			
59	88 316-020	BENZING-QUICKLOCK 2	1	1	1			
60	88 228-003	LATCH	1	1	1			
61	88 412-003	SPRING,TORSION	1	1	1			
62	88 305-014	PIN,PIVOT ϕ 2x15,8	2	2	2			
63	88 407-001	SPRING,TORSION	2	2	2			
65	88 406-002	SPRING,TORSION	1	1	1			
66	88 305-029	PIN,PIVOT	1	1	1			
67	88 177-002	LEVER ARM-CONE THRUST	1	1	1			
73	80 958-014	CROSS,RECESSED,SCREW M3x6 5,8						
79	88 158-002	ASSY,CARRIAGE	1	1	1			
87	88 208-002	ARM,HEAD LOAD,MACHINED	1	1	1			
88	88 211-001	CLIP,DISTANCE	1	1	1			
89	88 400-001	SPRING,EXTENSION	1	1	1			
90	88 413-001	PAD,PRESSURE	1	1	1			
102	88 036-001	SPRING,EXTENSION	1	1	1			
110	88 227-001	SPRING,CLAMPING	1	1	1			
112	88 408-001	BAR,GUIDE ϕ 5x130	1	1	1			
113	88 409-001	BAR,GUIDE ϕ 5x71	1	1	1			
115	88 226-001	SPRING,CLAMPING	1	1	1			
130	88 179-001	SHOE,CLAMPING	2	2	2			
154	88 153-Y02	ASSY,SPINDLE MOTOR WITH TRACK O-SWITCH	1	1	1			
155	88 351-001	TRACK O-SWITCH	1	1	1			
156	88 153-Y03	ASSY,SPINDLE MOTOR WITH LIGHT BARRIER	1	1	1			

ITEM	PART No.	DESCRIPTION	QTY PER ASSY NO:88 101-4xx					
			01	03	07			
157	88 368-XXX	JOINT LIGHT BARRIER	1	1	1			
158	88 214-001	HOLDER FOR LIGHT BARRIER	1	1	1			
173	89 375-156	CROSS, RECESSED SCREW M 2x8 5,8	2	2	2			
174	88 229-001	NUT PLATE	1	1	1			
184	88 154-001	ASSY, HEAD LOAD SOLENOID	1	1	1			
191	355038-002	TY, WRAP						
202	355027-016	CLAMP, CABLE						
204	505000-001	PHOTO TRANSISTOR	2	2	2			
203	88 207-001	HOLDER TRANSISTOR INDEX	1	1	1			
206	88 025-032	WASHER, FLAT 3,2 ST	1	1	1			
213	88 416-002	BELT SPINDLE	1	1	1			
214	88 221-001	THREADED BOLT	1	1	1			
218	88 366-001	PCB, CONTROL	1	1	1			
220 *	88 356-001	*PCB, CONTROL	1	1	1			
222	90 473-Y13	FLAT CONNECTOR 4,8	1	1	1			
		O P T I O N S						
236	88 159-001	ASSY, SI-LATCHING MAGNET	-	1	-			
241	80 641-102	CONNECTOR KIT						
242	320015-002	FLAT CONNECTOR P1	1	1	1			
243	98 403-002	FLAT PIN BUSHING 4,8	1	1	1			
244	200218-001	CONTACT LINER	1	1	1			
245	88 360-001	LINING CASE 4 POL P5	1	1	1			
246	80 976-001	SHORT-OUT-CONNECTOR	4	4	4			
		* USE ONLY TO ORDER COMPONENTS PAGE 7 OF 12.						

CROSS REFERENCE LIST FOR SPARE-PARTS MDD 6106

PART NUMBER	ITEM	PART NUMBER	ITEM
80 641-102	241	88 409-001	113
80 958-014	73	88 412-003	61
80 976-001	246	88 413-001	90
		88 416-002	213
88 025-032	206	88 421-001	21
88 036-001	102		
88 126-001	27	89 375-156	173
88 126-002	28		
88 129-002	44	90 473-Y13	220
88 131-001	36		
88 153-Y02	154	98 403-002	243
88 153-Y03	156		
88 154-001	184	200218-001	244
88 158-002	79		
88 159-001	236	320015-002	242
88 177-002	67		
88 179-001	130	355027-016	202
88 207-001	203	355038-002	191
88 208-002	87		
88 211-001	88	505000-001	204
88 214-001	158		
88 221-001	214		
88 226-001	115		
88 227-001	110		
88 228-003	60		
88 229-001	174		
88 233-001	40		
88 305-014	62		
88 305-029	66		
88 316-020	59		
88 351-001	155		
88 356-001	220		
88 360-001	245		
88 366-001	218		
88 368-XXX	157		
88 400-001	89		
88 404-002	53		
88 406-002	65		
88 407-001	63		
88 408-001	112		



READ/WRITE CONTROL PCB COMPONENT
LOCATIONS

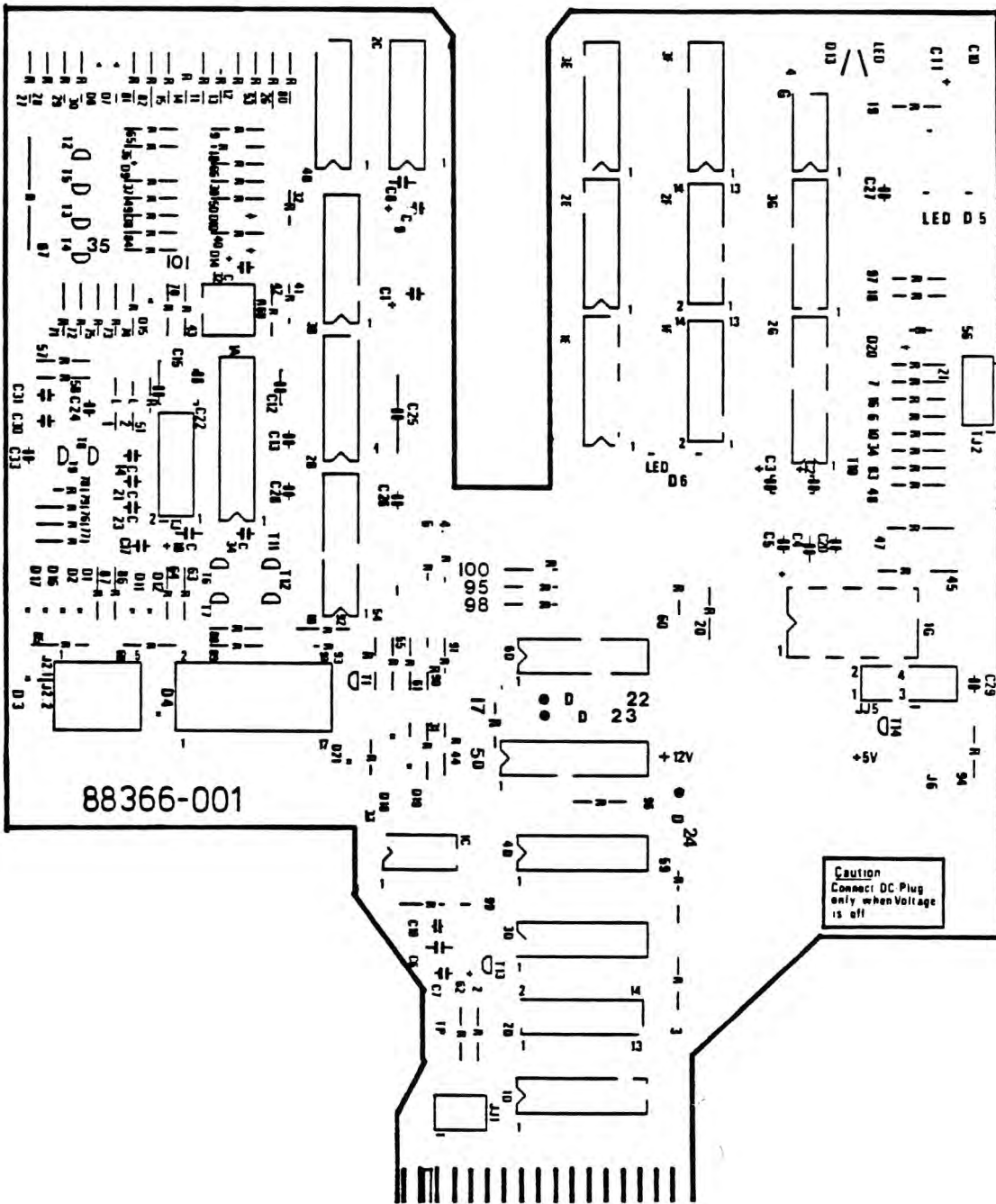
REF. DESIGN.	PART NO.	DESCRIPTION	QTY PER ASSY NO: 88 356-XXX				
			001				
C1	80 934-053	CAPACITOR TANT. 33 μ F, 20V, 20%	1				
C2	80 934-041	CAPACITOR TANT. 22 μ F, 16V, 20%	1				
C3	80 934-076	CAPACITOR TANT. 2, 2 μ F, 35V, 20%	1				
C4, 6, 8, 10, 15, 18	305028-103	CAPACITOR 0, 01 μ F, 100V, 20%	6				
C5	80 934-054	CAPACITOR TANT. 47 μ F, 20V, 20%	1				
C7, 9, 11	80 934-031	CAPACITOR TANT. 47 μ F, 10V, 20%	3				
C12, 13, 32	98 175-133	CAPACITOR CER. 330pF, 200V, 10%	3				
C14	98 175-047	CAPACITOR CER. 47pF, 200V, 10%	1				
C16, 17	80 934-079	CAPACITOR TANT. 6, 8 μ F, 35V, 20%	2				
C19, 20, 21, 23, 30, 31	98 175-410	CAPACITOR CER. 0, 1 μ F, 50V, 10%	6				
C22	98 175-239	CAPACITOR CER. 3, 9 μ F, 100V, 10%	1				
C24	98 175-156	CAPACITOR CER. 560pF, 200V, 10%	1				
C25	88 353-153	CAPACITOR POLY. 0, 015 μ F, 200V, 5%	1				
C26	88 354-393	CAPACITOR POLY. 0, 039 μ F, 200V, 5%	1				
C27	98 175-210	CAPACITOR CER. 1000pF, 200V, 10%	1				
C28	10 781-422	CAPACITOR 0, 22 μ F, 50V, 10%	1				
C29	10 781-322	CAPACITOR 0, 022 μ F, 100V, 10%	1				
D3 -D4	90 344-001	DIODE 1N4001	2				
D5, 6	81 079-001	L-DIODE LIT 60	2				
D7	17 202-043	DIODE ZENER ZPD 4, 3, 2%	1				
D8	90 346-082	DIODE ZENER 1N756 (8, 2V)	1				
D9	90 346-068	DIODE ZENER 1N754 (6, 8V)	1				
D10, 11, 12, 14, 15	90 342-001	DIODE 1N4154	5				
D13	80 975-001	L.-DIODE LD52C	1				
JJ 1	80 836-203	CONNECTOR 3P	1				
JJ 2, 3, 4	80 836-207	CONNECTOR 7P	3				
J2	80 946-101	CONNECTOR 4P	1				
J3	80 833-209	CONNECTOR 9P	1				
J5	88 359-001	CONNECTOR 4P	1				
J6	80 833-203	CONNECTOR 3P	1				
L1, 2	80 964-390	INDUCTOR IM2 - 390 μ H, 10%	2				
R1, 3, 22, 23, 24, 25, 52	10 412-115	RESISTOR, NETWORK 150 Ω , 1/4W, 2%	1				
R2, 9	90 364-151	RESISTOR 150 Ω , 1/4W, 5%	2				
R4, 31, 32, 59, 60, 63, 64	90 364-103	RESISTOR 10 K, 1/4W, 5%	8				
R34	90 364-153	RESISTOR 15 K, 1/4W, 5%	1				
R5	90 364-102	RESISTOR 1 K, 1/4W, 5%	13				
R 6, 7, 29, 30, 36, 39, 40, R50, 57, 58, 62, 71, 72	90 364-102	RESISTOR 1 K, 1/4W, 5%	13				
R8, 9, 53, 75	90 364-332	RESISTOR 3, 3K, 1/4W, 5%	4				
R10, 26, 16	90 364-473	RESISTOR 47K, 1/4W, 5%	3				
R11, 13	90 364-223	RESISTOR 22K, 1/4W, 5%	2				
R12, 80	90 364-104	RESISTOR 100K, 1/4W, 5%	2				
R14, 15	90 364-823	RESISTOR 82K, 1/4W, 5%	2				
R17	90 366-409	RESISTOR 82 Ω , 1/4W, 5%	1				

REF.DESIGN.	PART NO.	DESCRIPTION	QTY PER ASSY NO: 88 356-XXX				
			001				
R18,43,44	90 364-101	RESISTOR 100K,1/4W,5%	3				
R20,21	90 364-121	RESISTOR 120Ω,1/4W,5%	2				
R27,66	90 364-122	RESISTOR 1,2K,1/4W,5%	2				
R28,41,48,51,65	90 364-222	RESISTOR 2,2K,1/4W,5%	5				
R33	89 282-628	RESISTOR 390Ω,1/2W,1%	1				
R35	89 284-216	RESISTOR 1,78K,1/4W,5%	1				
R37,49	90 364-271	RESISTOR 270Ω,1/4W,5%	2				
R38	90 364-471	RESISTOR 470Ω,1/4W,5%	1				
R42	90 364-822	RESISTOR 8,2K,1/4W,5%	1				
R45	80 925-002	RESISTOR 0,9Ω,2W,5%	1				
R47	80 250-257	POTENTIOMETER 2K	1				
R54	89 284-340	RESISTOR 34,8K,1/4W,1%	1				
R55	89 284-341	RESISTOR 35,7K,1/4W,1%	1				
R56	90 364-221	RESISTOR 220K,1/4W,5%	1				
R61	90 364-393	RESISTOR 39K,1/4W,5%	1				
R67	90 366-158	RESISTOR 150Ω,2W,5%	1				
R68	90 364-472	RESISTOR 4,7K,1/4W,5%	1				
R69	95 413-325	POTENTIOMETER 25K	1				
R70	90 364-123	RESISTOR 12K,1/4W,5%	1				
R73,74	89 284-172	RESISTOR 619Ω,1/4W,1%	2				
R76,77	89 284-345	RESISTOR 39,2K,1/4W,1%	2				
R78,79	89 284-313	RESISTOR 18,2K,1/4W,1%	2				
T1	80 939-001	TRANSISTOR NPNBC338-16	1				
T2	80 935-001	TRANSISTOR PNPBC327/40	1				
T3,4,5,8,9	90 327-001	TRANSISTOR PNP 2N3906	5				
T6,7	505004-001	TRANSISTOR FET 2N5460	2				
TJ1	80 836-206	CONNECTOR 6P	1				
TJ2	80 836-204	CONNECTOR 4P	1				
1A	80 955-001	IC 3470	1				
1B	12 282-001	IC LM 339	1				
2B,3B,2F	92 136-001	IC SN 7474	3				
4B	97 607-001	IC SN 7407	1				
1C,5F	385014-001	IC SN 75453	2				
2C,2D	13 602-001	IC SN 7438	2				
5D	80 937-001	IC SAA 1027	1				
6D	94 526-001	IC 9602	1				
2E	19 296-001	IC SN 7402	1				
3E,3D	92 127-001	IC SN 7404	2				
4E	14 588-001	IC SN 74221	1				
1F	80 938-001	IC ESM 227N	1				
3F	18 773-001	IC SN 7432	1				
4D	97 272-001	IC-SOCKET 14P	1				
	355031-YO2	TESTPOINT GND(SCOPE)	1				
	80 976-001	PLUG SHORT CIRCUIT	11				

REF. DESIGN.	PART NO.	DESCRIPTION	QTY PER ASSY NO: 88 366-XXX				
			001				
C1	81 091-336	CAPACITOR TANT.0,01 μ F,100V,20%	1				
C2	81 093-226	CAPACITOR TANT. 22 μ F, 16V,20%	1				
C3	81 095-225	CAPACITOR TANT. 2,2 μ F, 25V,20%	1				
C4,6,8,10,15,18,29	305028-103	CAPACITOR CER. 0,01 μ F,100V,20%	7				
C5	81 173-476	CAPACITOR AL.ELK.47 μ F,16V,10%	1				
C7,9,11	81 172-476	CAPACITOR AL.ELK.47 μ F,10V,10%	3				
C12,13	81 177-331	CAPACITOR CER. 330pF,400V,10%	2				
C14,34	81 177-470	CAPACITOR CER. 47pF,400V,10%	2				
C16,17	81 095-685	CAPACITOR TANT.6,8 μ F,25V,20%	2				
C19,20,21,23,30, C31,32	81 119-104	CAPACITOR MET.FOIL.0,1 μ F,63V,10%	7				
C22	81 177-681	CAPACITOR CER. 680pF,400V,10%	1				
C24	81 177-561	CAPACITOR CER. 560pF,400V,10%	1				
C25	88 353-153	CAPACITOR POLY.O,015 μ F,200V,5%	1				
C26	88 354-393	CAPACITOR POLY.O,039 μ F,200V,5%	1				
C27	81 120-102	CAPACITOR MET.FOIL.1000pF,100V,10%	1				
C28	81 119-224	CAPACITOR MET.FOIL.0,22 μ F, 63V,10%	1				
D1,2,10,11,12,14, D15,16,17,18,19	10 357-001	DIODE 1N4444	11				
D3,4,21	90 344-001	DIODE 1N4001	3				
D5,6	330705-001	L.-DIODE ME60	2				
D7	17 202-043	DIODE ZENER ZPD 4,3,2%	1				
D8,20	90 346-082	DIODE ZENER 1N756(8,2V)	2				
D9	90 346-068	DIODE ZENER 1N754(6,8V)	1				
D13	80 975-001	L.-DIODE LD52C	1				
D24	90 346-051	DIODE ZENER 1N751(5,1V)	1				
J2.1,J2.2	80 833-205	PIN-CONNECTOR 2x5pol.square off	1				
J3	80 833-209	PIN-CONNECTOR 2x9pol "	1				
J5	88 359-001	POWER-CONNECTOR 4P	1				
J6	80 833-203	PIN-CONNECTOR 2x3pol.	1				
JJ1	80 836-203	PIN-CONNECTOR 2x3pol.	1				
JJ2,3,4	80 836-207	PIN-CONNECTOR 2x7pol.	3				
TJ1	80 836-206	PIN-CONNECTOR 2x6pol.	1				
TJ2	80 836-204	PIN-CONNECTOR 2x4pol.	1				
TP	355031-Y02	TEST POINT	1				
L1,2	80 964-393	INDUCTOR IM2-390 μ H,10%	2				
R1,22,23,24,25,52, R46	10 412-115	RESISTOR NETWORK 150 Ω ,1/4W,2%	1				
R2,18,19	90 364-151	RESISTOR 150 Ω ,1/4W,5%	3				
R3,38	90 364-471	RESISTOR 470 Ω ,1/4W,5%	2				
R4,31,32,61,63 R64,34	90 364-103	RESISTOR 10K ,1/4W,5%	7				
R5	90 364-153	RESISTOR 15K ,1/4W,5%	1				
R6,7,29,30,36,39, R40,50,57,58,59,60, R62,71,72	90 364-102	RESISTOR 1K ,1/4W,5%	15				

REF. DESIGN.	PART NO.	DESCRIPTION	QTY PER ASSY NO: 88 366-XXX				
			001				
R8,9,53	90 364-332	RESISTOR 3,3K,1/4W,5%	3				
R10,16,26	90 364-473	RESISTOR 47 K,1/4W,5%	3				
R11,13,83,94,95, R100	90 364-223	RESISTOR 22 K,1/4W,5%	6				
R12,80	90 364-104	RESISTOR 100K,1/4W,5%	2				
R14,15	90 364-823	RESISTOR 82K,1/4W,5%	2				
R17,27,66	90 364-122	RESISTOR 1,2K,1/4W,5%	3				
R20,21	90 364-121	RESISTOR 120Ω,1/4W,5%	2				
R28,41,48,51,65,98	90 364-222	RESISTOR 2,2K,1/4W,5%	6				
R33	89 282-628	RESISTOR 390Ω,1/4W,5%	1				
R35	89 284-216	RESISTOR 1,78K,1/4W,1%	1				
R37,49,75,90,91,92 R93	90 364-271	RESISTOR 270Ω,1/4W,5%	7				
R42,81	90 364-822	RESISTOR 8,2K,1/4W,5%	2				
R43,44,84	90 364-101	RESISTOR 100Ω,1/4W,5%	3				
R45	81 110-001	RESISTOR 0,9Ω,0,35W,5%	1				
R47	80 250-257	RESISTOR POTI 2K	1				
R54	89 284-340	RESISTOR 34,8K,1/4W,1%	1				
R55	89 284-341	RESISTOR 35,7K,1/4W,1%	1				
R56,96	90 364-221	RESISTOR 220Ω,1/4W,5%	2				
R67	90 366-158	RESISTOR 150Ω,2W,5%	1				
R68,85	90 364-472	RESISTOR 4,7K,1/4W,5%	2				
R69	95 413-325	RESISTOR POTI 25K	1				
R70	90 364-123	RESISTOR 12K,1/4W,5%	1				
R73,74	89 284-157	RESISTOR 432Ω,1/4W,1%	2				
R76,77	89 284-345	RESISTOR 39,2K,1/4W,1%	2				
R78,79	89 284-313	RESISTOR 18,2K,1/4W,1%	2				
R82	475000-825	RESISTOR 8,2MΩ,1/4W,5%	1				
R86,87	89 284-325	RESISTOR 24,3K,1/4W,1%	2				
R88,89	90 364-183	RESISTOR 18K,1/4W,5%	2				
R97	90 364-105	RESISTOR 1MΩ,1/4W,5%	1				
R99	89 282-598	RESISTOR 22Ω,1/2W,5%	1				
R45	80 925-001	REPLACEMENT MATER. RESISTOR 0,9Ω 2W,5%	1				
T1,2,13	80 935-001	TRANSISTOR PNP BC 327/40	3				
T3,4,5,8,9,10	90 327-003	TRANSISTOR PNP 2N3906	6				
T6,7	505004-001	TRANSISTOR FET 2N5460	2				
T11,12	90 326-001	TRANSISTOR NPN 2N3904	2				
T14	80 939-001	TRANSISTOR NPN BC 338-16	1				
1A	80 955-001	IC 3470	1				
1B	14 588-001	IC SN 74221	1				
1C,4G	385014-001	IC SN 74453	2				
1D,6D	13 602-001	IC SN 7438	2				
1E,3D,2C	92 127-001	IC SN 7404	3				
1G	80 938-001	IC ESM 227N	1				
2B,3E,3G	92 136-001	IC SN 7474	3				
2E	18 773-001	IC SB 7432	1				
2G	94 526-001	IC 9602	1				
3B	97 607-001	IC SN 7407	1				

REF.DESIGN.	PART NO.	DESCRIPTION	QTY PER ASSY NO: 88 366-XXX 001				
3F	19 296-001	IC SN 7402	1				
4B	12 282-001	IC LM 339	1				
5D	80 937-001	IC SAA 1027	1				
1A	97 273-002	IC-SOCKET,18 POL.	1				
4D	97 272-001	IC-SOCKET,16 POL.	1				



READ/WRITE CONTROL PCB COMPONENT
LOCATIONS