

CONTENTS

ALLNET'S LEGAL PROBLEMS.....	2
A SOLUTION TO VIRUSES.....	4
HOW TO WRITE A VIRUS.....	8
BUILDING A RED BOX.....	13
REPLY TO CAPTAIN ZAP.....	16
LETTERS.....	24
2600 MARKETPLACE.....	41
FUN PHONE NUMBERS.....	44

SECOND CLASS POSTAGE
Permit No. 31
East Setauket, N.Y.
11733
ISSN 0748-3851

2600 Magazine
PO Box 752
Middle Island, NY 11953 U.S.A.
Forwarding and Address Correction Requested

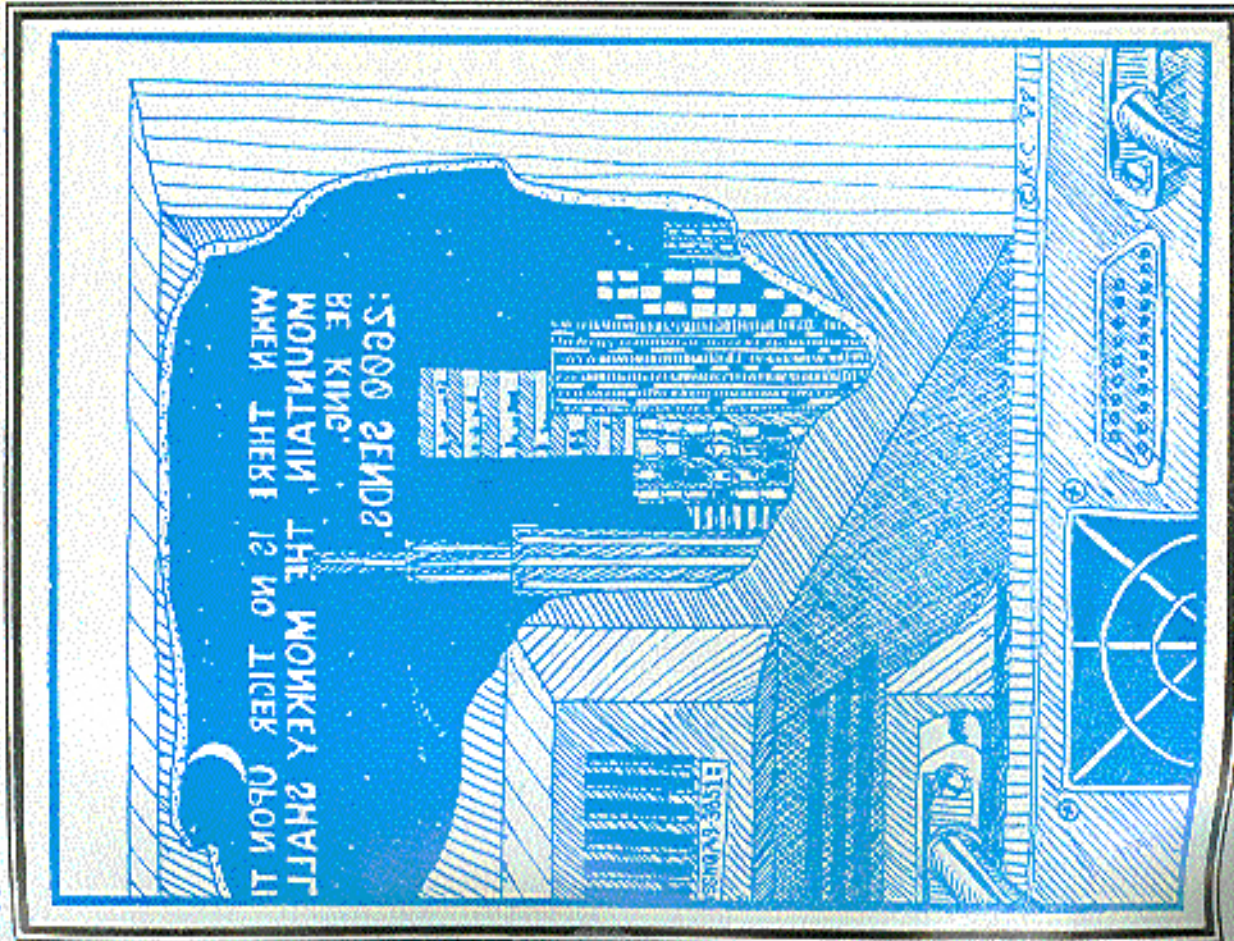
DANGER:
MISSING LABEL

2600

The Hacker Quarterly

Volume 5, Number 2

Summer, 1988



FILED FOR NOTICE
TELECOMMUNICATIONS LITIGATION
NOTED FOR FILE
AT COURT
Room Area 2000 North
SOUTHERN DIVISION

NOTICE OF CLASS ACTION AND PROPOSED SETTLEMENT TO CERTAIN CURRENT AND FORMER CUSTOMERS OF ALLNET COMMUNICATIONS SERVICE, INC.

Plaintiff, an United States District Court for the Eastern District of Michigan, please take notice that a class action lawsuit has been filed on behalf of certain former and current customers of Allnet Communications, Inc. (Allnet), known as Current Customers, Inc. The Court's purpose is to determine if the lawsuit should be certified as a class action and if so, to determine the appropriate relief for the class. YOU ARE URGED TO READ THIS NOTICE CAREFULLY BECAUSE YOUR RIGHTS AND WILL BE AFFECTED BY THE COURT'S DECISION.

A. NOTICE OF A PENDING CLASS ACTION

Plaintiff is the class representative and, along with Allnet, proposed class members for certain Current Customers, Inc. (Current Customers), who were allegedly misled by Allnet's sales representatives in connection with the sale of long distance telephone service. Allnet is the defendant in this lawsuit. The lawsuit seeks damages for the loss of money and other expenses incurred by Current Customers in connection with the purchase of long distance telephone service from Allnet. The lawsuit also seeks an injunction to prevent Allnet from engaging in similar sales practices in the future.

B. THE SETTLEMENT CLASS

Plaintiff and Allnet have entered into a Settlement Agreement, which has been preliminarily approved by the Court. Under the terms of the Settlement Agreement, the parties have agreed to payment of settlement only for the period from August 1, 1985 through August 31, 1989. The Settlement Agreement also provides for the payment of attorneys' fees and costs.

C. HOW TO FILE A PROOF OF CLAIM

To receive Settlement Benefits, you must file a Proof of Claim with the Court for a date of filing no later than August 31, 1989. The Proof of Claim must be filed in accordance with the instructions set forth in the enclosed Proof of Claim form. The Proof of Claim must be filed in accordance with the instructions set forth in the enclosed Proof of Claim form. The Proof of Claim must be filed in accordance with the instructions set forth in the enclosed Proof of Claim form.

D. TERMS OF THE SETTLEMENT

The Settlement Agreement requires Allnet to provide to class members long distance telephone credits up to a maximum of \$500.00. The Settlement Agreement also provides for the payment of attorneys' fees and costs. The Settlement Agreement also provides for the payment of attorneys' fees and costs.

E. NOTICE OF SETTLEMENT HEARING

A Settlement Hearing will be held on August 29, 1989 before Judge Patricia A. Adams. The hearing will be held in Courtroom 1000, United States District Court, 228 West Lafayette Boulevard, Detroit, Michigan. The hearing will be held in Courtroom 1000, United States District Court, 228 West Lafayette Boulevard, Detroit, Michigan.

F. HOW TO FILE A PROOF OF CLAIM

To receive Settlement Benefits, you must file a Proof of Claim with the Court for a date of filing no later than August 31, 1989. The Proof of Claim must be filed in accordance with the instructions set forth in the enclosed Proof of Claim form. The Proof of Claim must be filed in accordance with the instructions set forth in the enclosed Proof of Claim form.

G. IF YOU HAVE ANY QUESTIONS ABOUT THIS NOTICE OR THIS LAWSUIT

If you have any questions about this notice, the lawsuit or the Settlement, you may write to the Settlement Administrator at the address set forth below. The Settlement Administrator is located at the address set forth below. The Settlement Administrator is located at the address set forth below.

H. IF YOU HAVE ANY QUESTIONS ABOUT THIS NOTICE OR THIS LAWSUIT

If you have any questions about this notice, the lawsuit or the Settlement, you may write to the Settlement Administrator at the address set forth below. The Settlement Administrator is located at the address set forth below. The Settlement Administrator is located at the address set forth below.

We think you'll find this issue to be most informative and educational. At last we've devoted some space to the subject of computer viruses. But we've done it in a way no other magazine has yet done. For the first time, you can read what goes through the mind of someone who deliberately plants viruses in computer systems. And you can also see what measures are being taken to thwart this person's efforts. We're happy to announce yet another 2600 computer bulletin board, this one in the Washington DC area. This one is PC. Pursuable and you can reach it at (703) 823-6591. Hopefully, we'll expand to the west coast by next issue. Remember that 2600 meetings now take place on the first Friday of the month only. See page 41 for details. Turnout has been quite good in recent months.

STAFFBOX

- Editor-In-Chief: Emmanuel Goldstein
- Production: Mike DeVoursney
- Cover Art: Ken Copel
- Office Manager: Bobby Anwar
- Mike DeVoursney

Writers: Eric Corley, John Drake, Mr. French, Chester Holmes, Lex Luthor, Phantom Phreaker, Bill from RINOC, David Ruderman, Bernice S., Silent Switchman, Mike Yuhas, and the usual anonymous bunch.

2600 (ISSN 0749-1871) is published monthly by 2600 Enterprises Inc., 7 Strong's Lane, Seneca, NY 11773. Second class postage journal pending at Seneca, New York.

POSTMASTER: Send address changes to 2600, P.O. Box 752, Middle Island, NY 11955-0752.

Copyright © 1988, 2600 Enterprises Inc.

Yearly subscription: U.S. and Canada—\$15 individual, \$40 corporate. Overseas—\$25 individual, \$55 corporate.

Back issues available for 1984, 1985, 1986, 1987 at \$5 per year, \$30 per year overseas.

ADDRESS ALL SUBSCRIPTION CORRESPONDENCE TO: 2600 Subscription Dept., P.O. Box 752, Middle Island, NY 11955-0752.

FOR LETTERS AND ARTICLE SUBMISSIONS, WRITE TO: 2600 Editorial Dept., P.O. Box 99, Middle Island, NY 11955-0099.

2600 Office Line: 516-751-2600

BBS #1 (OSU) NY: 914-725-4040

BBS #2 (CENTRAL) OH: 614-234-3390

BBS #3 (YOYO) NY: 402-564-4518

BBS #4 (BEEHIVE) TX: 823-6591

USENET ADDRESS: 2600@class1.cuc.cu ARPANET ADDRESS: 2600@class1.cuc.cu

A Form of Protection

by Ross M. Greenberg

What is a Trojan?

Back in the good old days (before there were computers), there was this bunch of soldiers who had no chance of beating a superior force or of even making it into their fortress. They had this nifty idea: present the other side with a gift. Once the gift had been accepted, soldiers hiding within the gift would sneak out and overtake the enemy from within.

We can only think of the intellectual giants of the day who would accept a gift large enough to house enemy soldiers without checking its contents. Obviously, they had little opportunity to watch old World War II movies to see the same device used over and over again.

Consider the types of people who would be thrilled at the concept of owning their own rough hewn, large wooden horse! Perhaps they wanted to be the first one on their block, or something sily like that.

Anyway, you're all aware of the story of The Trojan Horse.

Bringing ourselves a bit closer to the reality we've all grown to know and love, there's a modern day equivalent: getting a gift from your BBS or user group which contains a little gem which will attack your hard disk, destroying whatever data it contains.

In order to understand how a potentially useful program can cause such damage when corrupted by some misjudged soul, it's useful to understand how your disk works, and how absurdly easy it is to cause damage to the data contained thereon. So, a brief technical discussion of

the operation of your disk is in order. For those who aren't concerned, turn the page or something.

Data is preserved on a disk in a variety of different physical ways having to do with how the data is encoding in the actual recording of that data. The actual structure of that data, however, is the same between MS-DOS machines. Other operating systems have a different structure, but that doesn't concern us now.

Each disk has a number of "tracks". These are sometimes called cylinders from the old type IBMers. These are the same people who call hard disks DASDs (Direct Access Storage Devices), so we can safely ignore their techno-speak, and just call them tracks. Tracks can be thought of as the individual little grooves on an audio record, sort of.

Anyway, each track is subdivided into a number of sectors. Each track has the same number of sectors. Tracks are numbered, as are sectors. Any given area on

"Typical Trojan programs cause damage to your data, and were designed to do so by the worms who writhe in delight at causing this damage."

the disk can be accessed if a request is made to read or write data into or out of Track X, Sector Y. The read or write command is given to the disk controller, which is an interface between the computer itself and the hard disk. The controller figures

For You and Your Computer

out what commands to send to the hard disk, the hard disk responds and the data is read or written as directed.

The first track on the hard disk typically will contain a small program which is read from the hard disk and executed when you first power up your machine. The power up sequence is called "booting" your machine, and therefore the first track is known as the "boot track".

In order to read information from your disk in a logical sequence, there has to be some sort of index. An unusual index method was selected for MS-DOS. Imagine going to the card index in a library, looking up the title you desire, and getting a place in another index which tells you where on the racks the book is stored. Now, when you read the book, you discover that only the first chapter of the book is there. In order to find the next chapter of the book, you have to go back to that middle index, which tells you where the next chapter is stored. This process continues until you get to the end of the book.

Sounds pretty convoluted, right? You bet! However, this is pretty much how MS-DOS does its "cataloging" of files.

The directory structure of MS-DOS allows for you to look up an item called the "first cluster". A cluster represents a set of contiguous ("touching" or in contact" according to Random House) tracks and sectors. It is the smallest amount of information which the file structure of MS-DOS knows how to read or write.

Based on the first cluster number as stored in the directory, the first portion of a file can be read. When the information contained therein is exhausted, MS-DOS goes to that secondary index for a pointer

to the next cluster. That index is called the File Allocation Table, commonly abbreviated to "FAT". The FAT contains an entry for each cluster on the disk. An FAT entry can have a few values: ones which indicate that the cluster is unused, another which indicates that the associated cluster has been damaged somehow and that it should be marked as a "bad cluster", and a pointer to the next cluster for a given file. This allows for what is called a linked list: once you start looking up clusters associated with a given file, each FAT entry tells you what the next cluster is. At the end of the linked list is a special indicator which indicates that there are no more clusters associated with the file.

There are actually two copies of the FAT stored on your disk, but no one really knows what the second copy was intended for. Often, if the first copy of the FAT is corrupted for some reason, a clever programmer could recover information from the second copy to restore to the primary FAT. These clever programmers can be called "hackers", and should not be confused with the thieves who break into computer systems and steal things, or the "worms" [Joanne Dow gets credit for that phrase!] who would get joy out of causing you heartache!

But that heartache is exactly what can happen if the directory (which contains the pointer to the first cluster a file uses), the FAT (which contains that linked list to other areas on the disk which the file uses), or other areas of the disk get corrupted.

And that's what the little worms who create Trojan programs do: they cause what at first appears to be a useful pro-

Protecting Yourself

gram to eventually corrupt the important parts of your disk. This can be as simple as changing a few bytes of data, or can include wiping entire tracks clean.

Not all programs which write to your hard disk are bad ones, obviously. Your word processor, spreadsheet, database, and utility programs have to write to the hard disk. Some of the DOS programs (such as FORMAT), if used improperly, can also erase portions of your hard disk causing you massive amounts of grief. You'd be surprised what damage the simple "DEL" command can do with just a simple typo.

But what defines a Trojan program is its delivery mechanism: the fact that you're running something you didn't expect. Typical Trojan programs cause damage to your data, and were designed to do so by the worms who write in delight at causing this damage. May they rot in hell... a mild is a terrible thing to waste!

Considering the personality required to cause such damage, you can rest assured that they have few friends, and even their mother doesn't like to be in the same room with them. They sit back and chuckle about the damage they do with a few other lowly worms. This is their entire social universe. You should pity them. I know that I do.

What is a Virus?

Trojan programs are but a delivery mechanism, as stated above. They can be implemented in a clever manner, so that they only trigger the malicious part on a certain date, when your disk contains certain information or whatever. However they're coded, though, they typically affect the disk only in a destructive manner once triggered.

A new breed of programs has the capability of not only reserving malicious damage for a given event's occurrence, but of also replicating itself as well.

This is what people refer to when they mention the term "Virus Program".

Typically, a virus will spread itself by replicating a portion of itself onto another program. Later, when that normally safe program is run it will, in part, execute a set of instructions which will infect other programs and then potentially, trigger the Trojan portion of the program contained within the virus.

The danger of the virus program is twofold. First, it contains a Trojan which will cause damage to your hard disk. The second danger is the reason why everyone is busy building bomb shelters. This danger is that the virus program will infect other programs and they in turn will infect other programs and so forth. Since it can also infect programs on your floppy disks, you could unknowingly infect other machines! Pretty dangerous stuff, all right!

Kenneth van Wyck, one of the computer folks over at Lehigh University, first brought a particular virus to the attention of the computer community. This virus infects a program, which every MS-DOS computer must have, called COMMAND.COM. This is the Command Line Interpreter and is the interface between your keyboard and the MS-DOS operating system itself. Whatever you type at the C> prompt will be interpreted by it.

Well, the virus subverts this intended function, causing the infection of neighboring COMMAND.COMs before continuing with normal functionality of the command you typed. After a certain number of

From Infection

"infections", the Trojan aspect of the program goes off, causing you to lose data.

The programmer was clever. But still a worm. And still deserving of contempt instead of respect. Think of what good purposes the programmer could have put his or her talents to instead of creating this damage. And consider what this programmer must do, in covering up what they've done. They certainly can't tell anyone what they've accomplished. Justifiable homicide comes to mind, but since the worms they must hang around are probably as disreputable as they are, they must hold their ill-reputation a secret.

A pity. Hopefully, the worm is losing sleep. Or getting a sore neck looking behind them wondering which of their "friends" are gonna turn them in.

The Challenge to the Worm

When I first released a program to try to thwart their demented little efforts, I published this letter. What I say in it still holds:

"As for the designer of the virus program: most likely an impotent adolescent incapable of normal social relationships, and attempting to prove their own worth to themselves through these types of terrorist attacks.

"Never succeeding in that task (or in any other), since they have no worth, they will one day take a look at themselves and what they've done in their past, and kill themselves in disgust! This is a Good Thing, since it saves the taxpayers' money which normally would be wasted on their by and treatment of this miscreant.

"If they really want a challenge, they'll try to destroy my hard disk on my BBS, instead of the disk of some innocent per-

son. I challenge them to upload a virus or other Trojan horse to my BBS that I can't disarm. It is doubtful the challenge will be taken: the profile of such a person prohibits them from attacking those who can fight back. Alas, having a go with this twittle would be amusing for the five minutes it takes to disarm whatever they invent.

"Go ahead, you good-for-nothing little slimebucket: make my day!"

Alas, somebody out there opted to do the cowardly thing and use the FLUSHOT programs as a vehicle for wrecking still more destruction on people like you. The FLUSHOT3 program was redistributed along with a companion program to aid you in reading the documentation. It was renamed FLUSHOT4. And the reader program was turned into a Trojan itself.

(continued on page 28)

From the Guinness Book of World Records:

The largest collection of valid credit cards, as of May 3, 1989, is one of 1,003, all different, by Walter Cavenagh of Santa Clara, CA (known as "Mr. Plastic Fantastic"). The cost of the acquisition was nil, and he keeps them in the world's largest wallet, 250 feet long, weighing 31 pounds, and worth more than \$1,250,000 in credit.

Largest Incorrect Telephone Bill On August 18, 1975, the landlord of the Blue Bell Inn, Titchfield, Staffordshire, England received a telephone bill for \$4,386,800,000. It was later admitted that this bill contained "an arithmetical error".

the dark side

by The Plague

I'm sure you've heard about computer viruses. But what you were probably fed was misinformation. This article will attempt to de-mystify your perception of the computer virus, give you the facts, as well as teach you how to create your very own virus. This is not a second-hand or bystander explanation of viruses; I have had first-hand experience in the writing, distribution, and tracking of my very own virus, so I'm quite knowledgeable on the subject. Most viruses do destroy data. They also spread somewhat exponentially when unnoticed and not controlled. The beauty of the computer virus is that it perfectly mimics a real virus or small organism, thus having the potential of being a great tool in artificial intelligence. I will not write about how to protect yourself from a virus, because that would defeat the purpose of this article, and anyone with common sense already knows how to prevent being infected.

Recently, viruses have been a very hot issue in the media, but I assure you that I'm not jumping on the bandwagon because my virus has been around long before the term "computer virus" was ever mentioned in the media. The media has a very shallow understanding of what a virus is. Examples of the media's reporting of computer viruses include the article in the February 1, 1988 issue of Newsweek written by William D. Marbach and Richard Sandra called "Is your computer infected? Systems fail to silent and contagious killers." Another report appeared on ABC World News Tonight in late February, and I must say that the computer animation was quite good. It showed the virus (a pink

spiny blinking sphere) as it entered the resistors on the motherboard (come on, are these guys for real?). This was followed by a guy who claimed to be the inventor of the virus, which is absolutely bogus, because the computer virus was not invented by any one person. I don't even know why he decided to claim the credit -- it's nothing to be proud of.

My experience with viruses comes from writing CyberAIDS, a virus for the Apple II family of computers. This is the first and only virus for the Apple which operates under ProDOS that I know of. Due to ease of use of the ProDOS MII (Machine Language Interface), it was incredibly easy to write the virus. This is because I didn't need to deal with the hardware directly, only make a few simple system calls (i.e., read block, write block, open file, close file, etc.). The fact that ProDOS runs on the entire spectrum of the Apple II family also allows my virus to reach the broadest audience available. The ProDOS MII is very similar to the operating systems of most personal computers, minicomputers, and mainframes. Thus the virus can be adapted to run on any computer, so don't make the same mistake that the Apple community made, that is in thinking that a virus will never appear for their computer. Operating systems with similar calls and characteristics as ProDOS MII are MS-DOS, Unix, AmigaDOS, Ataris TOS, and Macintosh's OS.

I was asked whether I had any moral feelings about viruses, or whether I thought that they were wrong, or evil, or whatever. My feelings are the following: I don't care one way or the other. If people's

of viruses

data is destroyed, then so be it. If people are stupid enough to accept pirated software, then they deserve to be punished. The fact is that most business PC users will never be infected with a virus unless they download public domain or pirated software. Also, businesses may be affected if someone in the organization decides to infect the system, in which case the destruction is not preventable, because the person doing the infecting would have enjoyed destroying data even if viruses didn't exist. As for people who use their computers for home/entertainment/hobby, they are the ones most susceptible to the virus revolution. They should be wary of software that was not previously tested by others. Nowadays, it's becoming quite dangerous to accept software "off the street." I have to use this expression, but "viruses don't kill data, people kill data." A virus is perfectly harmless unless it is being spread by people willing/unwillingly. Therefore, people must take the responsibility to protect themselves and others by taking precautions. This will not be discussed in this article.

Creating a virus is by no means a simple project. Anyone who has ever attempted to write a virus, or any cybernetic organism for that matter, will tell you about the difficulties and tribulations involved. If anything, I'm quite upset that most people don't realize what an accomplishment this is. One person even told me, "Hey, anybody could write a virus. The reason I never wrote one is because it's wrong to do so." Well, he was wrong at the time because it is quite difficult to write a virus completely from scratch. But perhaps this article will allow anyone to write a virus by

giving them at least a good start.

My main concern about my project was how to track the spread of the virus, in order to gather data. This data could be used in the future to make better strategies, and more deceptive viruses. The technology behind the virus has come a long way since the 1970's. It's a field yet to be fully explored and appreciated by the computer community. I, for one, hope that people become more aware of the computer virus and that they take measures to protect

"The beauty of the computer virus is that it perfectly mimics a real virus or small organism."

their data. The ideal scenario would be computer companies rewriting their operating systems to be virus-resistant. In the long run, the computer virus may strengthen our defenses against data loss, whether it be due to viruses, Trojan horses, power outages, or unauthorized users. My main hope is that the threat of the virus will help curb software piracy and allow software companies to prosper. If a person knows that he stands a chance of being infected by accepting pirated or modern distributed software, he will realize that he's much better off buying the software and receiving the documentation as well.

How The Virus Works

Before I go any further, let me just say that

Straight from

a virus should be written in assembly language, "C", or any other language that allows low-level functions (byte manipulation, system calls, memory moves). I doubt you can write a virus in BASIC or PASCAL (a Trojan horse maybe, but certainly not a virus). Viruses in the future may be written in Prolog or LISP and incorporate artificial intelligence.

As an example, I'll discuss the CyberAIDS virus, which was written purely in 6502 Assembly. CyberAIDS is an "application resident" virus (see Virus Types). Most viruses must make themselves permanent in the storage device in order to continue reproduction. See the Virus Types section for a detailed description of the various methods that viruses use for reproduction and where they may hide themselves.

After attaching itself to a file or disk that was previously uninfected, the actions of any particular virus may vary, but the virus will check the disk counter before proceeding to any intended action other than reproduction. The disk counter, an individual byte somewhere on the infected disk, keeps track of how many times the virus has accessed that particular disk, and thus assures that the virus will not detonate prematurely. Some viruses are totally harmless and print a simple text message (such as the Macintosh virus), while others are created to cause harm and/or to destroy data (like CyberAIDS). There are still other viruses which were not originally meant to be destructive, but due to the fact that they come between an operating system and its applications, cause harm nonetheless. This harm is usually in the form of system crashes or

the destruction of protected software (i.e., the Amiga virus, which would not affect standard disks but would destroy protected disks due to their non-standard filesystem format).

How The Virus Spreads

All viruses spread. This is what makes them distinct from Trojan horses. Whereas a Trojan horse program simply wipes out your hard drive when you run it once or twice, a virus will attach itself to normal applications or disks and make from carriers. Care must be taken that the virus will only infect one file each time the infected application runs, thus making sure that the time before the original application executes is kept to a minimum. This will allow the virus to go unnoticed during the user's daily activities. You can run a virus-infected program a hundred times and it will behave normally with the exception that it will make copies of the virus portion and attach itself to other disks/applications, but when you run it the final time, it will perform its intended activity. Since only that copy of the virus has detonated, you are still left with perhaps dozens of infected files which will not detonate until they are run several hundred times (and thus will spread the virus even more).

The benefits of an application resident virus such as CyberAIDS are several. Since no new files are ever created on the disk by the virus, the user will probably not notice anything is wrong. Instead, normal applications are modified by the virus to execute viral code. When individual files (non-text executable code files) are infected, the virus can be spread in three ways:

(1) The manual copying of the file from disk to disk by the user. User-group disk

the source

distribution can achieve the best results when this method of reproduction is used.

(2) The automatic copying of viral code by the virus itself to non-infected files in other drives or the hard disk. Usually serves to give the virus a better foothold within a particular user's software library.

(3) The transfer of infected files over the modem. The infection has a good chance (whether by accident or on purpose) of reaching public domain or private bulletin boards. The distribution of that file will be incredible. Infected files may also be spread through LAN's (Local Area Networks).

Application Resident Virus Outline

A. INITIALIZE.

1. Find current location of virus in memory.
2. Relocate itself to predefined memory location.
3. Make sure DOS is active and ready to accept system calls.
4. Move original application header

"The virus may even call its creator and allow the transfer of data from the infected system."

(6 bytes) back to original memory.

B. SEARCH.

1. Choose random volume (disk device).

a. Make sure volume is not write protected

b. Make sure volume is on line (no I/O error)

2. Increment disk counter (See NOTE1) and go to destroy (See NOTE2) if necessary.

3. Check for enough space on volume.

4. Choose candidate file.

a. File must be a system or application file.

b. File must not be already infected (choose appropriate method for identifying infected files).

c. File must be small enough to allow viral attachment (so that the application and virus code both fit in memory).

d. If the file is locked then unlock it.

C. INFECT.

1. Open candidate file.

2. Load first block of candidate file into a main buffer.

3. Take first (6 bytes) and save to alt buffer (also known as SH).

4. Calculate viral location in new file.
a. Viral Addr = Application Start Addr + Length of Application + 6

5. Store a JUMP Viral Addr at beginning of file.

6. Rewrite main buffer.

7. Set file pointer to end of file (for append).

8. Write the alt buff (6 bytes).

9. Write the viral code afterwards.

10. Close candidate file.

D. DESTROY (Optional).

1. Lock out Keyboard and Reset Key if possible.

how to do it

2. Destroy data.
 - a. Recognize all disk devices (hard disks, floppies, 3.5" ram).
 - b. Wipe out the directory (FAT) blocks of each device.
 - c. Wipe out key block for each file in each directory block.
3. Do graphics and music (optional).
 - a. Totally up to virus writer.
4. Present text message (optional).
 - a. Totally up to virus writer.
- E. LEAVE.
 1. Jump back to Application Start Addr
 - a. Thus continue as if nothing had happened.

NOTE1: The disk counter is a particular byte on the disk that the virus uses to hold the value of how many times that virus has run with that particular disk inserted (active).

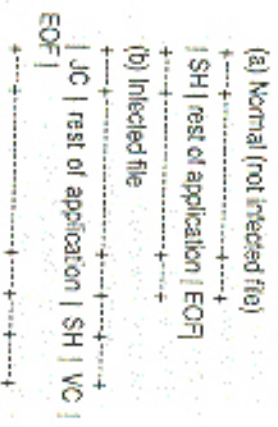
NOTE2: DESTROY or LEAVE is executed depending on the status of the disk counter.

Virus Types

Application Resident:

Hides in applications (see **Virus Outline**). Patches an application (or system file, .EXE, .COM, .SYS file) so that the virus is appended at the end of the file and a call to the virus is provided at the beginning of the file. The original beginning of the file is saved to the end of the file as well, as it will be moved back (SH is moved back to where JCI is, see Figure B) into place at the beginning of the file when the virus executes, thus allowing the application to execute normally after the virus errors are completed. Due to the different position of the viral code in each infected file (because of different file lengths) and

unless the viral code can run anywhere in memory, it must be able to relocate itself into a pre-set memory location where it will run.



SH = Standard Header (first few bytes of the original file's executable code).
 JCI = Jump Code (jumps to the address of the virus).
 VC = Viral Code (see **Virus Outline**).
 EOF = End of File.

Boot Block Resident:

Activated upon boot. Usually loads additional program code from other blocks on disk. This is quite invisible as files are never altered, and blocks used by the virus on disk are designated as busy for protection. The Amiga virus is a perfect example.

Memory Resident:

Resides in memory. Usually a terminate and stay utility that can be activated by any event (clock, keyboard, DOS call). On multi-tasking systems (such as Unix, Xenix, OS/2) it can be a background task. It will usually allocate memory for itself from the memory manager.

BUILDING A RED BOX

by J.R. "Bob" Dobbs

Essentially, the red box is a device used to fool the phone company into thinking you are depositing coins into a payphone. Every time you drop a coin into a payphone, the phone signals the type of coin inserted with one or more bursts of a combination of 1700 hz and 2200 hz. The tone bursts are coded as follows:

Nickel: One 60 millisecond pulse

Dime: Two 60 millisecond pulses separated by 60 milliseconds

Quarter: Five 35 millisecond pulses separated by 35 milliseconds

How to Use It

Operation is simple. Simply dial a long distance number (some areas require you to stick in a genuine nickel first), wait for the ACTS computer to demand your cash, and press the "deposit" button on the red box for each coin you want to simulate. The coin signals are coupled from the red box into the phone with a small speaker held to the mouthpiece.

For local calls, either you must first deposit a genuine nickel before "simulating" more coins or place your call through the operator with 0 + 7d. Use some care when the operator is on the line -- sometimes they catch on to your booper play.

Circuit Operation

Each time the pushbutton is pressed, it triggers half of IC1, configured as a monostable multivibrator to energize the rest of the circuit for a length of time determined by the setting of the coin selector switch. This in turn starts the other half of IC1, configured as an astable multivibrator, pulsing on and off at regular intervals at a rate determined by the 50k pot between pins 12 and 13. The output of the astable thus alternately powers of IC2, configured as a square wave oscillator, providing the required 1700 hz and 2200 hz to the op amp which acts as a buffer to drive the speaker.

Construction

Assemble the circuit as you wish. Component placement is not critical. I found the easiest method was to use point-to-point wiring on a "universal" PC grid board with solder ringed holes. Use sockets if you aren't a whiz with a soldering iron. Be sure to leave easy access to the potentiometers for alignment.

Alignment and Testing

For alignment, a frequency counter and triggered sweep oscilloscope are extremely handy (but not absolutely necessary).

Install a temporary jumper from +9v supply to pin 14 of IC2 and temporarily disconnect the 0.01uF

(continued on page 14)

(continued on page 22)

(continued from page 12)

how it's done

DOS Resident:

A virus that's patched into DOS and infects any disk, file, or DOS on disk that's accessed during the time that the infected DOS is active. Since DOS is the program which runs on the computer 98% of the time, it would be advantageous to add viral code to a frequently executed portion of DOS (such as Read Block code). The infected DOS will usually attempt to patch any DOS on disk and to make it infected. Care must be taken to prevent crashes, thus making sure the virus will only patch DOS versions that can be successfully altered by the virus. Any unrecognized DOS on a disk should be left alone.

Application Oriented:

A virus that's integrated into an application and works closely with it. Application oriented trojan horses are quite common, but viruses that are integrated into an application are hardly ever seen. For example, a packing (file compression) program such as ARC or a terminal program that infects files before packing or transmitting them.

Types of Viral Action

Complete Disk Data Destruction:

Affects floppy, 3.5", hard disks, ram disks. Usually the most common action taken by a virus. It is quick and is not noticed until it is too late. Care must be taken to prevent the user from prematurely stopping the destruction by locking out the keyboard or by giving a text message that will make them feel comfortable (i.e., "Loading Data Segment", "Checking for files").

Slow Disk Data Degradation:

Similar to above, except data is slowly destroyed on a disk with each activation of the virus. Usually a disk block at a time, but may be done a byte or even a bit at a time. This is perhaps the most sinister viral action as it will take quite a long time before anyone notices anything is wrong. Also known as the "disk bit spray".

Slow Memory Data Degradation:

Data in memory is modified a byte or a bit at a time. Usually done by a memory resident or background task virus. This will slowly destroy program code and data as the person is working at the computer. Weird things may happen and usually data integrity is compromised or program crashes will occur at random times. This is also known as the "memory bit spray".

Hardware Destruction:

A virus will attempt to destroy hardware if possible. It usually attempts things like overloading the address or data bus by attempting to activate all peripheral cards at the same time. "Head Slamming" may also be done, a process which allows older hard disks to have their read/write heads slammed at high velocities into the parking position or into the side of the disk enclosure. If any mechanical parts are present in the computers (relays), the virus will attempt to wear out or jam these devices by turning them on and off at very high speeds. This may also destroy various video and uart chips. Also, the virus will attempt to alter the time and date in any clock card or chip, or even destroy the pre-set configuration in battery-backed RAM.

and why

Modem manipulation:

A virus that usually attacks BBS systems and is a memory resident virus. It will activate itself during the time the BBS is not in use and play with the modem and the phone line. It does things like call Europe directly or call the police over and over. This virus may actually cause the infected person to go to jail or increase their phone bill or both. The virus may even call its creator and allow the transfer of data from the infected system.

That concludes this article. I hope you enjoyed it. I would like to see some more viruses out there. To write and distribute a virus you must lose every shred of moral fiber, and if I know the readers of this magazine, there will be a computer virus plague in the very near future. So have fun, kids. If you write a successful virus, don't hesitate to release it, and by all means send the source code to 2600. We'd like to hear from you.

CALL ONE OF OUR COMPUTER BULLETIN BOARDS TODAY!

2600 BBS#1

(OSUNY)

914-725-4060

*

2600 BBS#2

(CENTRAL OFFICE)

914-234-3260

*

2600 BBS#3

(YOYODYNE)

402-564-4518

*

2600 BBS#4

(BEEHIVE)

703-823-6591

ALL OPEN 24 HOURS



New Jersey Deal center offices, Church Street, New Brunswick, 08912

A READER'S REPLY

by The Rainald Grapefruit

Query: "What happens to nept computer criminals who get caught?"

Answer: "They open up security companies and start preaching to an extremely glibble public -- usually casting themselves as some kind of hacker expert whereas the only thing they are experts at is getting caught."

The opening comments have absolutely nothing to do with Captain Zap, whose reputation is impeccable, and we most certainly would not want people to misconstrue the comments as a vicious attack on his person, Lord, no....

Obviously, we disagree with Captain Zap's brilliant observations on the state of "Hacking and Preeking". If we did agree with him, we'd hardly be writing this swell response, eh?

"The ongoing wave of computer crime that is being reported in the media around the world shows" the shallowness of the media's never ending quest for anything that will titillate a technology-ignorant public, and push up the ratings of whatever publication or feed happens to be catering to the public's fear of technology on that particular occasion.

"An Interpretation of Computer Hacking" is just that: Captain Zap's personal opinion on the subject. In the first several paragraphs, Zap essentially summarizes the opening chapter of almost any given "Beginner's Introduction to Computers" and somehow manages to pass off observations that have already been made a few hundred times as his own "ideas". The only real mystery to us is why he decides on "16 Megabytes of RAM" as an arbitrary amount of memory

that "today's personal computers" are supposedly equipped with.

This leads into the "information is power" spiel, and the inevitable arrival of ISDN wherein phones and computers will become one glorious entity and live happily ever after.

All of this ends up with Zap giving you his opinion on "The Dawn of Preeking", the usual mention of Draper and blue boxing, followed by a summary of the boxes that matches slang to function, and terminology with a simplified account of toll fraud where Zap babbles about the various OCCs for a while.

Although we were very impressed by the programming ingenuity of the supplied "Margaret's dialer" listing, and find ourselves constantly looking to the first section of Zap's article when we feel lost or at a need for guidance, we will regrettably have to let it stand. Since aside from the ill-chosen "highlights of yesterday" there is nothing here that hasn't been dis-

"Rarely is the purpose of a conference to pass information over to other hackers that can work on a problem and plan for more tactical attacks to the target system."

cussed or otherwise summarized too many times in the past. As such it would be a waste of our time to do so yet again.
Hacker Communications! Shhhhh!

TO CAPTAIN ZAP

Secrets being exchanged!

While we don't dispute the fact that people do call each other, sometimes in large groups hooked together on a conference (without paying for it, gasp!), rarely is the purpose of a conference to "pass information over to other hackers that can work on a problem and compare results and plan for more tactical attacks to the target system." The usual reason a conference starts is because one kid is bored and wants to talk to a bunch of his peers at the same time. What takes place on almost any given conference is a bunch of screaming kids harassing ISPs coprolators, calling pizza parlors in Europe, and in general pranking or annoying anyone they can think of at the moment.

"Attacks" played on Bell System computers are usually the result of one kid -- who is not some genius, rather he's quite often the friend or relative of somebody who understands the concepts involved, not only the commands -- who thinks it would be a blast to turn off CMAA on a few switches, or disrupt COSMOS operations. All of this potential damage is made possible by the RBOC's themselves, which provide extremely minimal security that is more of a study in faulty security techniques and shoddy organization than any kind of obstacle to the potential hacker.

While "computing power" is now within reach of a vast number of people, almost all of that "vast number" are ignorant as to their system's potential. In fact, most never get beyond running their spreadsheet or doing taxes on that wonderful PC with "16 MB RAM". And if they ever do sink into the sordid depths of depravity

and actually try something awful like making a bit copy of someone else's program and xeroxing its manual, it's our personal belief that the world will in all probability not come to an end. Of course, we could be wrong.

Almost all potential hackers are little kids with a lot of time on their hands, and most of those kids will never get anywhere because they are not brilliant, or in any way gifted -- regardless of what the public might think of them. The vast majority of people that the public views as computer geniuses are quite average teenagers whose only "skill" is calling up boards -- with "better security than most large computer systems" -- and blindly applying things they see posted on them, without understanding what they are doing. Granted this is a "threat", but it's the only threat that boards pose. And the only reason it's a problem to begin with is because the "threatened" organizations or companies have ridiculously bad security.

While it is true that more people now own personal computers than at any other time in history, the overall effect of this influx of new hackers is negligible. Instead of one kid annoying his local CO from information he found on some board, there are 10 kids using the same information from the same board to harass the same CO. In short, there is a deluge of "idiot savants" who are capable of doing no more damage than trained chimp.

The Bulletin Board Systems

Bulletin board systems (BBSs) pose a possible threat for the simple reason that the more highly skilled users will potentially congregate information in a

(continued on next page)

A READER'S VIEW

OF THE ZAP ARTICLE

place where the "Idiot savants" can read it. The better versed user's reason for posting it is ego gratification. Regardless of what he claims, the only incentive he has to post this information is an ego boost. He already knows that the "Idiot savants" are going to do something stupid with the information, at worst simply making it useless, at best flexing their muscles and showing their target how vulnerable they are to an outside attack.

Granted, if BBS's didn't exist, much of the trouble various people and companies now experience would vanish along with the "Idiot savants". But the only thing the boards really do is provide a forum for the more intelligent users to bask in the adoration of fools. They are not some great organized crime wave of the future; they are simply used by several thousand bored kids, the great majority of them trying to live out some kind of power trip while the remaining minority congregate together because they like being surrounded by those they view as their peers.

In summary, boards are a social medium -- not the forefront of some well orchestrated, nationwide attack on loopholes in "the system". Just about any issue of *Solder of Fortune* contains all the information you could possibly want about where to obtain books on plastic explosives, nerve gas, special weapons, electronic devices, and anything else that has been dreamed up. You hardly need a BBS in order to have access to that kind of knowledge. In fact most of the information posted on the "death and destruction" sites of boards is a word-for-word copy of some article that originally appeared in one of these books. The only crime taking

place is copyright infringement. **Specific Responses to Some of Zap's Statements**
Let's cover Zap's statements one by one:

→ "Such information like dial-up port numbers, logons, and passwords are common information available to the main hacker population." No shit. It's also common information available to anyone who calls up any of the carriers and requests it. The logons and passwords are usually the end result of credit card fraud, and have nothing to do with the ingenuity of hacking into a system.

→ Zap's entire spiel on board security, the "select few", and the security of hacker boards takes place for the most part in his head and nowhere else. The only reason most people never move into those hal-lowed ranks is because they have somehow convinced themselves that this isn't possible. The only thing separating you from anything you want to access is ignorance of how the sysop's minds function and the reality of how security works, as opposed to the ridiculous fantasies presented by Zap.

Assuming a sysop had no file outside of his board, and he got paid by the hour to sift through all of those records of his potential users, all he'd accomplish would be to weed out people who didn't know how the system worked. Anyone who wanted access and understood the basics of how to falsify information would still gain entry, and the end result is a security breach. There is no such thing as perfect security. When anyone "builds a better mousetrap", a few days later an inventive person will "build a better mouse".

In any case, the security examples presented by Zap do not exist on any private or "elite" pretek or hacker BBS now in existence. If the sysop claims that is what they do, it's simply meant to scare potential users into subscribing valid information which the sysop doesn't bother to verify beyond the telephone number.

→ Disclaimers and Cautions: Whether Zap's comments originate from actual ignorance or simply a desire to knowingly misinform, is unknown to us.

A disclaimer, any disclaimer, will have very little value in any kind of legal situation. While the sysop might feel better if "it's not my fault" and "for information purposes only" are splattered over every part of his board, it isn't going to make any difference to any judge in any court. Disclaimers are not legally binding. All they do is take up space and lull sysops into a false sense of security.

Thinking you're safe because you have a good disclaimer translates out to "ignorance is bliss". If you haven't had any trouble with law enforcement agencies to date, it only means that they don't know about your existence (bored as you are amongst 1,000 other quasi-legal BBS's), or that they know and don't care because you aren't doing anything that they're worried about.

→ Tele-Trial: I can't believe this! Zap, where ya been for the last three years? Tele-Trial was a ridiculous "electronic funeral" started by King Blobs as a joke. For whatever reason, he started taking himself seriously and for a few months in 1985 "Tele-Trials" were being held, in which "electronic execution" took place and stupid kids cried about being thrown

off Biotoland and being declared "uncool" (The horror!)

It is impossible for anyone to enforce any "ruling" over anyone else in the modem community. The boards are not all interconnected and what one person, or group of people, declares as "law" on one system, or set of systems, is utterly meaningless to the hackers the next area code over. And even to the people involved with those specific systems, it only pertains to them if they want to play the game. There is nothing preventing an "exiled" person from picking up a new handle and starting over.

Aside from the complete impossibility of enforcing such "rulings" over anyone but the most brain-damaged kids, all of this is nothing more than a history lesson.

(continued on next page)

WILL PAY
\$1,000

**FOR EARLIEST INFORMATION
LEADING TO ARREST
AND PROSECUTION
WITHIN NEW YORK AREA OF**

- CALLING ROOM OPERATORS
- BLUE BOX OPERATORS
- COMPUTER HACKING INVADE
- LONG DISTANCE TELECOMMUNICATIONS

Call (212) 227-4519

(between 7:00 A.M. and 1:00 P.M.)
CONFIDENTIALITY STRICTLY MAINTAINED

THIS AD APPEARED IN A NEW YORK NEWSPAPER THIS SPRING. THE HUNT IS ON!

RESPONDING TO THE

CAPTAIN ZAP ARTICLE

Tele-Trials have been over since the summer of 1985.

As for Richard Sandza, Tele-Trial still existed at the time of the publishing of his articles for Newsweek. The "Tele-Trial" he was put on was simply a conference of abusive kids who felt that he had given hackers unfair treatment. In retaliation they threatened him: a Captain Quieng posted his credit report and numerous kids ran up bills on his credit cards, sending assorted junk to his house.

Hackers cannot "perform the destruction" of anyone. All they can do is scare the shit out of "normal" people who are shocked that a bunch of kids can get their unlisted number, credit cards, and various other records, and abuse them.

In any case, Sandza is something of an exception since he managed to piss off a large percentage of people who were in a position to make life hard for him in return. Most people who disagreed with him can write a complaint to Newsweek, but if you have the ability to bring your displeasure to his personal attention, in a way that will ensure he gives notice to it, wouldn't you do the same thing? After all, it isn't Newsweek you're mad at, it's Richard Sandza. Some of you probably wouldn't, but that's one of the fringe benefits of being a hacker. Instead of being bound by "the system's" rules and regulations, you can get around it and let your conscience be your guide (if you happen to have a conscience).

And remember, the hacker can be the best prevention for computer security sickness and that a reformed hacker can make for the best data processing security person. Another token stab at self-promo-

tion by Zap.

The boards in general have been a major problem in the control of information due to the use of the boards by what some may call "information junkies." What's wrong with people who want to collect information? Are you suggesting that arbitrary censorship would be an improvement?

One of the major contributing factors involving computer abuse is the non-education of the users in ethics. While it makes for a nice sweeping generalization, this statement has little to do with reality.

Most "normal users" think no more of copying a piece of software than they think of taping a copy of an album, or xeroxing a page out of a copyrighted publication. While all of these acts are illegal, there aren't many people that actually care. "Educating" people is not going to eradicate these problems.

As far as the preaks and hackers are concerned, the statement is even more ludicrous. While a minority undoubtedly justify their actions to themselves as "curiosity" and thus set their consciences to rest, the greater percentage know that in the course of doing whatever it is that they happen to be doing at the moment, they are committing crimes. And they don't care.

Morality and ethics are subjects that cannot be "taught" to anyone. Each individual has to make his or her personal choices based upon whatever tenets or beliefs they happen to espouse. Very often people who function from a predominantly logical perspective come to the conclusion that "right and wrong" are relative to a given time and situation. As applied in

our society they typically denote values that most of our present population subscribes to. Why should anyone do something just because everyone else is doing it?

Ethics will always be up to the individual, who will in many cases come to the logical conclusion that he doesn't care what the rest of society condones or accepts, and instead of blindly following their dictates he will choose to think for himself and perhaps arrive at conclusions that don't coincide with what society happens to find acceptable at that particular time.

Assessing government and military computers. Why it is that people come to the conclusion that government computers should be bastions of security we couldn't begin to guess. When you speak of the government and military, we presume you mean our government and military; you know, the one run by incompetents, bureaucrats, and other paper pushers that excel at nothing except wasting time and money.

For someone who cautions others against making "rash statements," Captain Zap has apparently written an entire article filled with statements that neatly ignore his own dictum.

Lastly, we'd like to bring up one relevant fact that most "security analysts" manage to ignore: hackers and preaks (for the most part) are not criminals. At least that isn't the way they view themselves. While nobody lays awake nights worrying about the fact that today he's cost a few phone companies some money, and perhaps wasted system resources on un-authorized applications, a

hacker or preak's primary motivation is either a real hunger for knowledge, or ego gratification. In neither case does monetary gain enter the picture. The people you really have to worry about are career criminals. They aren't kids and they don't call boards. If a hacker is present in your system, then a criminal could easily gain entry to your system as well. If anything, you should vow it as a blessing that the hacker has brought your lack of security to your attention.

The previous paragraph shouldn't be misconstrued as a moral judgment on criminals. Personally we couldn't care less how you make your living as long as you're good at what you do.



Artwork by J.R. "Bob" Dohbs
Red Box article on page 13

(continued from page 13)

HOW TO BUILD

capacitors from pins 5 and 9 of IC2. Power up the circuit. Measuring the output from pin 5 of IC2 with the frequency counter, adjust the 20k pot between pins 1 and 6 for an output of 1700 Hz. Now adjust the 20k pot between pins 8 and 13 for an output of 2200 Hz from pin 9 of IC2. Remove the temporary jumper and re-attach the capacitors to pins 5 and 9. (Note: If no frequency counter is available, the outputs can be adjusted by ear one at a time by zero-beating the output tone with a computer generated tone of known precision.)

Next, temporarily disconnect the wire between pins 5 and 10 of IC1. Set coin selector switch in the "N" (nickel) position. With the oscilloscope measuring the output from pin 9 of IC1, adjust the 50k pot between pins 12 and 13 of IC1 for output pulses of 60 millisecond duration. Reconnect the wire between pins 5 and 10. (Note: If no scope is available, adjust the pulse rate by ear using computer generated tones for comparison.)

The remaining adjustments are made by ear.

Leave the selector switch in the "N" position. Adjust the 50k pot labelled "Dime" for a quick double beep each time the pushbutton is pressed.

Finally, set the selector to

"Quarter". Adjust the 50k pot labelled "Quarter" until exactly 5 very quick beeps are heard for each button press. Don't worry if the quarter beeps sound shorter and faster than the nickel and dime ones. They should be.

Conclusion

If all went well to this point, your red box should be completely aligned and functional. A final test should now be conducted from a payphone using the DATL (dial access test line) coin test. Dial 09991230 and follow the computer instructions using the red box at the proper prompts. The computer should correctly identify all coins "simulated" and flag any anomalies. With a little discretion, your red box should bring you many years of use. Remember, there's no such thing as space change!

Parts List for Red Box

Semiconductors

(2) 556 Dual Timer

(1) 741 Op Amp

(1) IN914 Switching Diode

Resistors

(6) 10k (1) 4.7k

(2) 100k

(4) 50k PC Mount Potentiometer

(2) 50k Multi-Turn Potentiometer

Capacitors

(10) 0.01 μ F (1) 1.0 μ F

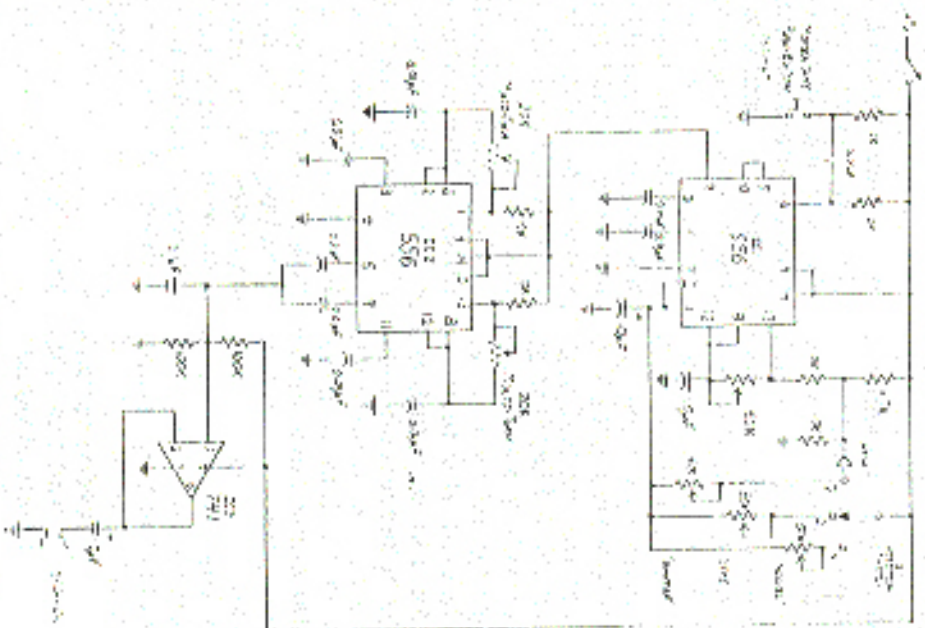
(2) 10.0 μ F Electrolytic

Miscellaneous

(2) 14 Pin Dip Socket

A RED BOX

- (1) 8 Pin Dip Socket
- (1) 3-position Rotary Switch
- (1) Momentary Push-Button Switch (normally open)
- (1) SPST Toggle Switch
- (1) Speaker or Telephone Earpiece
- Circuit Board
- Box
- Mounting Hardware
- 9V Battery Clip



THESE ARE

THE LETTERS

Reactions to Zap

Dear 2600:

After reading Captain Zap's article in your last issue I'm left with the feeling that it was not meant to inform. Rather it seems to me that Zap wants to scare legitimate users and people in charge of security at various companies into believing in the existence of an incredibly organized and complex organization that decides upon who attacks what and makes up laws and regulations. In short, it looks to me like Zap desperately wants people to believe that the big bad hackers are out there waiting to get them (especially if they happen to be Fortune 500 companies, in which case the hackers really have it in for them), and only Captain Zap and his security company can protect you from us, so by God ya better hand him some cash and a long term contract, or we'll eat you alive!

Either that or Zap is just hopelessly out of it. In either case I wouldn't put my security into his hands.

**Murdering Thug
and The BOY!**
Circle of Deneb/
Digital Gang

Dear 2600:

Is Captain Zap for real? Is this the same Captain Zap who used to go by the name of Ian Murphy and is consulting on computer security? It's a pretty far-fetched picture of an evil underground conspiracy. All of the "elite" underground BBS's I was on (and I was on several of the exact same ones Captain Zap was on) had no real check-ups on identity. Most even skipped the callback to verify and a famous name could get you on.

The FBI has some of the best hacking info available and I'm sure they would trade a few trapped MCI codes and traced computer passwords to get on any system.

The biggest bull of the whole article is: "Granted they did not move the bird [satellite], but they did gain access to the rotation control for the satellite." Pure bull. Please see the article I wrote for you on page 2-52 (August '85) about moving satellites. Tells exactly what was misunderstood. I know, because I posted the "satellite routing codes".

The Shadow

Dear 2600:

In the Spring 1988 issue, 2600 presented an article called "The Hacker Threat"

written by Captain Zap. While I don't agree with the article, I'm glad you published it because I like to see different opinions which provoke discussion. After reading the article I decided to do a little research on him.

Captain Zap, whose true name is Ian Murphy, is now a computer security consultant. This was not always true. Until the time of his arrest, he was a hack (Taxi Driver) by trade and a hacker by hobby. In 1984 he was convicted of credit card fraud. Now, as a reformed hacker, he attempts to help companies free their systems from hackers. Recently, he has been active on many BBS's, including those sponsored by 2600. On Central Office BBS he claimed that a rival computer security consultant from Detroit had been charged with criminal sexual conduct and harassment. He then threatened to sue that same consultant for alleged slander. He also vigorously attacked The Telecom Security Group (TTS&G), a respected Newburgh (NY) based consulting firm, for having advertised in 2600 and for being closely involved with computer hackers. TTS&G is considering legal action against Murphy.

Murphy has been profiled by

such periodicals as *The Wall Street Journal* and *USA Today*. In these interviews he has admitted to such acts as: monitoring his ex-wife's telephone with an illegal wiretap, breaking and entering a client corporation's facilities, and refusing to turn in information about alleged criminals.

I hope this is of interest.

Yevgeny Zamyatin

For a reply to last issue's Captain Zap article, turn to page 16.

Gripes and

Feedback

Dear 2600:

Hi. I am one of your numerous subscribers and interested readers who has a few gripes with the Spring 1988 issue of 2600.

Although I don't mind the new format and appreciate its larger size I think it could stand somewhat better editing.

"The Threat of Computer Hackers." One or two nice anecdotes but the rest should have gone into *Byte* or *Computer!* I mean you can assume that you have more enlightened readers on that subject that don't need a "HCK-100 BBS & Systems Intro".

YOUR

LETTERS

"ROM Phone System." You could have cut this to one or two pages. About 50 percent of the article is fluff, like the complaints that people can't use the new phone with those weird buttons. Times change faster than humans and some of the complaints are hardly worthy of the reader's time. So what if the info number changes from 246-3636 to 632-6830?

Given a larger magazine this wouldn't be so bad, but 2600 is relatively small and so I'd prefer more and shorter articles (if they exist).

OK. What I LIKED: "Monitoring TVRO." Although I am no phreak I love to read stuff like that just to keep informed.

"VM/CMS." Although I hope I will be on a system like that it might come in handy sometime.

"Weathertrak." Not my real interest, but interesting nevertheless.

"From the 2600 Files." Fun and informative.

"Happenings" and "Letters." These are my favorites.

I hope you don't mind a little feedback from a reader.

Best of luck to you and your mag.

Naturlich!

We never mind getting comments and criticism. It shows that our subscribers are reading the magazine. What more could we ask for?

We presented Captain Zap's article ("Threat of Computer Hackers") not as a revelation but as an example of what is being said by some. We did this with the intention of opening up a dialogue which, judging from the response in this issue and on the boards, is precisely what happened.

The ROM article was meant to illustrate more than the simple inconvenience of having to adjust to something new. We were attempting to point out how it's becoming increasingly common for the installers of such systems to blatantly disregard the needs of the users and just assume everyone will figure it out in the end. Being denied the freedom to select an easy-to-remember phone number seemed particularly ironic, considering user flexibility was one of the "advantages" of this new phone system.

By the way, another page that we got lots of comment on was the reprint of our six-cent RCI phone bill that's been showing up faithfully here every month for nearly two years. Well, guess what? RCI must be reading these pages

because we suddenly stopped getting them. (Maybe we should reprint our \$200 MCI bill and hope that goes away!)

(where x is any digit) will tell you the number you're calling from.
Have fun and keep up the good work.

A Useful Trick

Dear 2600:

Just a note from a subscriber. I love 2600. It gives a lot of food for thought.

A contribution: On the AT&T Horizon PBX (lately discontinued) there is a "toll-restriction" feature. Ports can be connected to a special card that enforces toll-restriction: i.e., you can't dial 1+ for long distance. The software knows about this too.

If you try to dial 1+, you'll get a fast busy tone to let you know it's forbidden. However, the hardware is expensive to modify and it's the software that gives the busy tone, so many companies just let the software do the toll-restriction and don't bother buying the special hardware.

Mistake. If you are on such a system and get the fast busy, just hang on the line for about 30-45 seconds. Presto! Unrestricted dial tone. Most people give up when they hear the fast busy.

Also, here in Atlanta the digital exchanges (Northern Telecom DMS-100's) are programmed so that 940-xxxxxxx

Your little trick for getting an unrestricted dial tone is probably the single most common technique that exists. And what's so remarkable about it is that so many companies seem completely unable or even unwilling to put a stop to it! We urge our readers to try this on any system that offers any kind of dialing restrictions. Please let us know what you find.

We appreciate the ANI (Automatic Number Identification) information. If readers from other parts of the country know what their ANI numbers are, please let us know. (In the New York metro area, it's 958.)

"Deluxe" Call Waiting

Dear 2600:

Enclosed is another example of how Ma Bell loves screwing the telecommunicating public. This was clipped from "On Line Today", the Computer magazine. On one page is a letter in which the writer thanks another correspondent for advice on temporarily suspending call

Protection From

Computer Viruses

(continued from page 7)

I guess the programmer involved was too cowardly to take me up on my offer and prefers to hurt people not capable of fighting back. I should have known that, I suppose, but I don't normally think of people who attack innocents. Normally, I think of people to respect, not people to pity, certainly not people who must cause such damage in order to "get off".

They are below contempt, obviously, and can do little to help themselves out of the mire they live in.

Still, a worm is a worm.

About FLUSHOT

A Brief History

The original incarnation of FLUSHOT was a quick hack done in my spare time. It had a couple of bugs in it which caused it to trigger when it shouldn't, and a few conditions which I had to fix. A strangeness in how COMMAND.COM processed certain conditions when I "failed" an operation caused people to lose more data than they had intended -- certainly not my intent!

"No matter what software protection you use, somebody will find a way around it one day."

FLUSHOT was modified and became FLUSHOT2. It included some additional protections, protecting some other important system files, and protecting against direct disk writes which can be used to circumvent FLUSHOT's protection mecha-

nisms.

Additionally, FLUSHOT2 forced an exit of the program currently running instead of a fail condition when you indicated that an operation should not be carried out.

FLUSHOT2 was also now distributed in the popular archive format (have you remembered to send your shareware check in to Phil Katz for his efforts? You really should; it ain't that much money!).

Next came FLUSHOT3. A bug was fixed which could have caused certain weird things when you denied direct disk IO to certain portions of DOS 3.x.

The enhancements to FLUSHOT3 included the ability to enter a 'G' when FLUSHOT was triggered. This allowed FLUSHOT to become inactive until an exit was called by the foreground task. So, when you used some trustworthy program which did direct disk IO, you wouldn't be pestered with constant triggering after you enter the 'G'. Primarily this was a quick hack to allow programs such as the FORMAT program to run without FLUSHOT being triggered each time it tried to do any work it was supposed to.

Additionally, a CMOS RAM check was installed. If a foreground program attempted to change CMOS memory, you'd be advised.

What the heck is CMOS memory, you might be asking. Good question. In AT class and better machines, certain important parameters (such as the type of hard disk you're using, or how much memory there is in your machine) are stored up in special non-volatile memory, called CMOS.

If this gets changed, you might have a problem when you reboot. FLUSHOT3

sends at least one little slimebucket back to the drawing board, because it will restore the CMOS and prevent this hassle from occurring.

FLUSHOT+ Features and Enhancements

This release of FLUSHOT has a new name: FLUSHOT4. Because FLUSHOT4 was a Trojan, I opted to change the name. Besides, FLUSHOT+ is the result of some real effort on my part, instead of being a part-time quick hack. I hope the effort shows.

FLUSHOT is now table driven. That table is in a file which I call FLUSHOT.DAT. It exists in the root directory on your C: drive. However, I'll advise you later on how to change its location so that a worm can't create a Trojan to modify that file.

This file now allows you to write and/or read protect entire classes of programs. This means that you can write protect from damage all of your *.COM, *.EXE, *.BAT, and *.SYS files. You can read protect all of your *.BAT files so that a nasty program cannot even determine what name you used for FLUSHOT+ when you invoked it. Additionally, you can now automatically check programs when you first invoke FLUSHOT+ to determine if they've changed since you last looked at them. Called checksumming, it allows you to know immediately if one of the protected programs has been changed when you're not looking. Additionally, this checksumming can even take place each time you load the program for execution.

Also, FLUSHOT+ will advise you when any program "goes TSR". TSR stands for "Terminable and Stay Resident", allowing

pop-ups and other useful programs to be created. A worm could create a program which leaves a bit of slime behind. Programs like Borland's SideKick program, a wonderful program and certainly not a Trojan or virus, is probably the best known TSR. FLUSHOT+ will advise you if any program attempts to go TSR which you haven't already registered in your FLUSHOT.DAT file.

Finally, FLUSHOT+ will also now pop up a little window in the middle of your screen when it gets triggered. It also will more fully explain why it was triggered. The pop-up window means that your screen won't get screwed up beyond recognition -- unless you're in graphics mode when it pops up. Sorry, 'demns the breaks!

Registering FLUSHOT+

FLUSHOT+ is not a free program. You're encouraged to use it, to distribute it to your friends and co-workers. If you end up not using it for some reason, let me know why and I'll see if I can do something about it in the next release.

But the right to use FLUSHOT+ is contingent upon you paying for the right to use it. I ask for ten dollars as a registration fee. This entitles you to get the next update shipped when available. And allows you to pay me, in part, for my labor in creating the entire FLUSHOT series. I don't expect to get my normal consulting rate or to get a return equal to that of other programs which I've developed and sell through more traditional channels. That's not my intent, or I would have made FLUSHOT+ a commercial program and you'd be paying lots more money for it. Some people are uncomfortable with

A Flu Shot For

Personal Computers

the shareware concept, or believe that there isn't no such thing as Trojan or virus programs, and that a person who profits from the distribution of a program such as FLUSHOT must be in it for the money.

I've created an alternative for these folks. I'll call it "charityware" (first called that, to my knowledge, by Roesdy Green). You can also register FLUSHOT+ by sending me a check for \$10 made out to your favorite charity. Be sure to include a stamped and addressed envelope. I'll forward the monies onto them and register you fully.

Of course, if you wish, you can send me a check for more than \$10. I'll cash it gladly (I'm no fool!).

Site Licensing of FLUSHOT+

So, you run the computer department of a big corporation, you got a copy of FLUSHOT+, decided it was wonderful and that it did everything you wanted and sent in your ten bucks. Then you distributed it to your 1000 users.

Not what is intended by the shareware scheme. Each site using FLUSHOT+ should be registered. That's ten bucks a site, me bucko! Again, make the check out to charity if you're uncomfortable with the idea of a programmer actually deriving an income from their work.

However, if you've really got 1000 computers, you should give me a call. As much as I'd like to get \$10 for each site, that wouldn't be fair to you. So, quantity discounts are available.

The FLUSHOT.DAT file

FLUSHOT+ is table-driven by the contents of the FLUSHOT.DAT file. This file normally exists in the root directory of your C: drive (C:\FLUSHOT.DAT).

A little later in this article you'll see how to disguise the data file name, making life tougher for the worms out there. But for the purpose of this article, we'll assume that the file is called C:\FLUSHOT.DAT.

The FLUSHOT+ program will read this data file exactly once. It reads the data from the data file into memory and overwrites the name of the data file in so doing. A little extra protection in hiding the name of the file.

This data file contains a number of lines of text. Each line of text is of the form:

(Command)-(filename)(options)

Command can be any one of the following characters:

- P - Write Protect the file named.
- R - Read Protect the file named.
- E - Exclude the file named from matching P or R lines.
- T - The named file is a legitimate TSR.
- C - Perform checksum operations on the file named.

The filename can be an ambiguous file if you wish for all commands except the T and C commands. This means that: C:\level1*.COM will specify all COM files on your C: drive in the level1 directory (or its sub-directories). Specifying:

C:\level1*.EXE would specify all EXE files in subdirectories under the C:\level1 directory, but would not include that directory itself.

You can also use the '?' operator to specify ambiguous characters as in: ?*.bin*.COM

which would be used to specify files on any drive in the \usr\bin directory on that drive. The files would have to be single let-

ter filenames with the extension of COM.

Ambiguous file names are not allowed for the T and C options.

Protecting files from Write Access

Use the 'P-' option to protect files from write access. To disallow writes to any of your COM, EXE, SYS, and BAT files, specify lines of the form:

- P-*.COM
- P-*.EXE
- P-*.SYS
- P-*.BAT

which protects these files on any disk, in any directory.

Protecting files from Read Access

Similarly, you can use the 'R' command to protect files from being read by a program (including the ability to 'TYPE' a file). To prevent read access to all of your BAT files, use a line such as:

R-*.BAT

Combinations of R and P lines are

"I challenge them to upload a virus or other Trojan horse to my BBS that I can't disarm."

allowed, so the combination of the above lines would prevent read or write access to all batch files.

Excluding files

Programmers in particular should find usage for the 'E' command. This allows you to exclude matching filenames from other match operations. Assume you're doing development work in the C:\develop directory.

You could exclude FLUSHOT+ from being triggered by including a line such as: E-?:develop?*

Of course, you might have development work on many disks under a directory of that name. If you do, you might include a line which looks like:

E-?:develop?*

or

E-?:develop*

Checksumming files

This line is a little more complicated than others and involves some setup work. It's worth it, though!

A checksum is a method used to reduce a file's validity into a single number. Adding up the values of the bytes which make up the file would be a simple checksum method. Doing more complex mathematics allows for more and more checking information to be included in a test.

If you use a file on the form: C-C:\COMMAND.COM(12345)

then when FLUSHOT+ first loads it will check the validity of the file against the number in the square brackets. If the checksum calculated does not match the number presented, you'll be advised with a triggering of FLUSHOT, which presents the correct checksum.

When you first set up your FLUSHOT.DAT file, use a dummy number such as '12345' for each of the files you wish to checksum. Then, when you run FLUSHOT, you should copy down the 'erroneous' checksum presented. Then, edit the FLUSHOT.DAT file and replace the dummy number with the actual checksum value you had copied down. Voilà! If even one byte in the file is changed, you'll

Controlling the

be advised the next time you run FLUSHOT+.

But wait! There's more!

When a "checksummed" file is loaded by MS-DOS, it will, by default, be checksummed again. So, if you had a line such as:

C=C:\usrbin\WS.COM[12345]

the venerable old WordStar program (still *my* editor of choice!) would be checksummed each time you went to edit a file.

Of course, you might not want the overhead of that checksumming to take place each time you load a program. Therefore, a few switches have been added. The switches are placed immediately after the 'I' in the checksum line:

C=C:\usrbin\WS.COM[12345](switch)

These switches are:

'n': will only checksum the file only 'n' times. Only one digit allowed.

SOLUTION 28373

by 7/28/88 Dale

Microsoft Word 885	88 50 73 53 01 01 21
Amprobase	23 13 41 54
Amprobase	18 09 18 15 84
Amprobase	34 78 54 84
Amprobase	46 86 17 32
Amprobase	71 03 51 53
Amprobase	47 35 20 42
Amprobase	83 02 53 77
Amprobase	25 02 21 24 8
Amprobase	28 02 21 24 8
Amprobase	22 80 21 24 8
Amprobase	22 80 21 24 8
Amprobase	11 90 24 31 2
Amprobase	77 82 25 32
Amprobase	79 51 04 35 6V73
Amprobase	55 31 18 11
Amprobase	70 30 50 88
Amprobase	41 33 23 82
Amprobase	73 15 07 85
Amprobase	10 46 24 33 4
Amprobase	18 20 22 31 4
Amprobase	99 10 21 04 3
Amprobase	74 42 36 44 51
Amprobase	23 80 14 21 03
Amprobase	20 86 25 02 51
Amprobase	35 42 38 84 5
Amprobase	10 41 03 73 2
Amprobase	19 51 73 75
Amprobase	15 42 24 31 01
Amprobase	15 47 39 51 29
Amprobase	41 84 23 01 23
Amprobase	49 33 14 30 23
Amprobase	34 88 83 9

'-': only checksum this file when FLUSHOT+ first loads. '1' and '' are equivalent.

+: only checksum this file when it is loaded and executed, not when FLUSHOT+ first loads.

Therefore, if you wished to only check your WSCOM file when you first loaded the FLUSHOT+ program, you'd specify a line as:

C=C:\usrbin\ws.com[12345].1

or

C=C:\usrbin\ws.com[12345].+

If you wished to checksum your program called "MYPROG.EXE" only when it was used, try:

C=C:\path\MYPROG.EXE+

Registering a TSR program

Any unregistered TSR program which is run after FLUSHOT+ will cause a trigger when they "go TSR". You can register a program so no trigger goes off by specifying it in a line such as:

T=C:\usrbin\trsr.ssk.com

which will keep FLUSHOT+ from complaining about sk.com. Make sure to take a look at the 'T' option, specified in the next section.

Protecting the FLUSHOT.DAT file

Obviously, the weak link in the chain of the protection which FLUSHOT+ offers you is the FLUSHOT.DAT file.

You would think that you'd want to protect the FLUSHOT.DAT file from reads and writes as specified above. However, this, too, leaves a gaping security hole: memory could be searched for it, and it could be located that way. A better alternative exists. In the distribution package for FLUSHOT+ exists a program called FLUPOKE.COM. This program allows you

Epidemic

to specify the new name you wish to call the FLUSHOT.DAT file. Simply type:

FLUPOKE (flushot name)

where (flushot name) represents the full path filename of your copy of FLUSHOT+.

You'll be prompted for the name of the FLUSHOT.DAT file. Enter the name you've selected (remember to specify the disk and directory as part of the name). Voilà! Nothing could be easier.

Protection Recommendations

Here's a sample FLUSHOT.DAT file, basically the same one included in the archive. Your actual checksums will differ, and you may want to modify what has and directories are protected. Obviously, your exact needs are different than mine, so consider this a generic FLUSHOT.DAT:

```
P=*bat
P=*sys
P=*exe
P=*com
R=*AUTOEXEC.BAT
R=*CONFIG.SYS
E=?dev*
C=C:\COMMAND.COM[12345].
C=C:\IBMBIO.COM[12345].
C=C:\IBMDOS.COM[12345].
```

Running FLUSHOT+

For extra protection, after you've run FLUPOKE, you should rename the FLUSHOT+ program to something unique and meaningful to you, but not a worm.

Assuming you didn't rename it, however, you could invoke the program simply by typing:

FSP

when at the prompt. That's all there is to it. When you're satisfied, you can add it to your AUTOEXEC.BAT file, after all of

your trusted programs have run. But there are some options you should know about:

Checking CMOS - How often?

The CMOS, as described earlier in this article, is a spot wherein a worm can just make things a bit miserable for you when you next boot your system. However, FLUSHOT+ allows you to protect the contents of your CMOS against such a worm. CMOS only exists on AT class and better machines!!!

You must specify the 'C' option when you invoke the FLUSHOT+ program in order to have your CMOS safeguarded. There is a check done whenever DOS is accessed to determine if the CMOS has changed. This causes a slight performance penalty. However, this only happens once every 128 DOS accesses. You can modify this ratio, to more or less, by specifying a number after the 'C':

FSP -C10

will check CMOS every ten accesses.

Intercepting Direct Disk Writes

Through INT13

The default operation of FLUSHOT+ is to intercept and examine every call to the direct disk routines. You can disable this by including the '-F' switch on your command line:

FSP -F

This is not recommended, but exists primarily for developers who can't use the constant triggering one of their programs may cause.

What about INT26?

Similarly, the same exists for the direct writes which normally are only made by DOS through interrupt 26. Again, I do not recommend you disable the checking, but

(continued on next page)

Virus and Trojan

If you desire to do so, use the 'D' switch.

Turning off the header message

If you've no desire to see the rather lengthy welcome message which is displayed when you first use FLUSHOT+, use the 'H' switch.

Allowing Trusted TSRs to Work

Normally, you'd load all of your trusted TSRs before FLUSHOT+ is loaded from within your AUTOEXEC.BAT file. However, you might want to use StackKee once in a while, removing it from memory as you desire. This could cause some problems, since SideKick, and programs like it, take over certain interrupts, and FLUSHOT+ could get confused about whether this is a valid call or a call that shouldn't be allowed. Normally, FLUSHOT+ will trigger on these calls, which is safer, but can be annoying. If you use the special 'T' switch upon program invocation, then calls which trusted TSRs (those specified with the 'T=' command in your FLUSHOT.DAT file) make will be allowed. Understand, please, that this basically means that calls made by a Trojan while a trusted TSR is loaded may not be caught. Please, use this switch with caution!

Disabling FLUSHOT+

There may be times when you're about to do some work which you know will trigger FLUSHOT+. And you might not want to be bothered with all of the triggering, the pop-up windows, and your need to respond to each trigger. If you look in the upper right hand corner of your screen, you'll see a '+' sign. This indicates that FLUSHOT+ is monitoring and attempting to protect your system. Depress the ALT key three times. Notice that the '+' sign

turned into a '?'. Well, FLUSHOT+ is now disabled, and will not trigger on any event.

If you depress the ALT key three more times, you'll see the '+' turn back into a '+'. Each time you depress the ALT key three times, FLUSHOT+ will toggle between being enabled and disabled.

Disabling FLUSHOT+ Toggle Display

Also, there are graphics applications

"All of the protection I had would have been for naught if I didn't use the first line of defense from these worms: full and adequate backup."

which will be screwed up by the '+' or '+' in the upper right hand corner of your display. Therefore, if you depress the CTRL key three times, you'll be able to toggle the display capability of FLUSHOT+. The default configuration of FLUSHOT+ is to "come up" with display turned on. You can reverse this capability if you include the 'G' (for graphics) switch on your command line when you run FLUSHOT+.

Interpreting a FLUSHOT+ Trigger

So, you've run FLUSHOT+, and you're at your C> prompt. Great! Now stick a blank disk which you don't care about into your A: drive and try to format it.

Surprise! FLUSHOT+ caught the attempt! You have three choices now: typing 'Y' allows the operation to continue, but the next one will be caught as well.

Prevention

Typing a 'G' (for GOLF) allows the operation to continue, disabling FLUSHOT+ until an exit from the program is made. When FLUSHOT+ is in the 'G' state, a 'G' will appear in the upper right hand corner of your screen.

Any other key will cause a failure of the operation to occur.

When you've got FLUSHOT+ running and you get signaled that there is a problem, you should think about what might have caused the problem. Some programs, like FORMAT, or the Norton Utilities, PC-Tools, or DREP have very good reasons for doing direct reads and writes to your hard disk. However, a public domain checksum accounting program doesn't. You'll have to be the judge of what are legitimate operations and which are questionable.

There is no reason to write to IBMBIO or IBMDOS, right?

Wrong!

When you format a disk with the 'YS' option, those files are created on the target diskette. The act of creating, opening up, and writing those files will trigger FLUSHOT+ as part of its expected operations. There are many other legitimate operations which may cause FLUSHOT+ to trigger.

So will copying a COM or EXE file if you have those protected with a 'P=' command. FLUSHOT+ is not particularly intelligent about what is allowed and what isn't. That's where you, the pilot, get to decide.

Here's a fuller listing of the messages which you might see when you're using FLUSHOT+:

Checking ===(filename)
This message is displayed as

FLUSHOT+ checks the checksum on all of the "C-=" files when you first invoke FLUSHOT+. The files must be read in from disk, their checksum calculated and then compared against the value you claim the checksum should equal.

If the checksum does not equal what you claim it should (which means that the file may have been written to and might therefore be suspect), a window will pop up in the middle of your screen:

Bad Checksum on (filename)

Actual Checksum is: (checksum)

Press "Y" to allow, "G" to go till exit,

any other key to exit

This message simultaneously advises you there is a problem with the checksums not matching, shows you what the checksum should be, and then awaits your response.

Except for the initial run of FLUSHOT+, if you type a 'Y' or a 'G', then the program will load and execute. Typing any other key will cause the program to abort and you will be returned to the C> prompt. When FLUSHOT+ is in the 'G' state, a 'G' will appear in the upper right hand corner of your screen.

If this is the initial run of FLUSHOT+, however, you'll be advised of the program's actual checksum, but FLUSHOT+ will continue to run, checking all remaining "C-=" files in the FLUSHOT.DAT file.

If you're running a program and you see a screen like:

? WARNING! TSR Request from an

unregistered program!

Number of paragraphs of memory

requested (in decimal) are: (cnt)

(Press any key to continue)

you're being advised that a program is

Controlling the

about to go TSR. If this is a program you trust (such as SideKick, or KBHIT, or a host of other TSR programs you've grown to know and love), then you should consider installing a "T=" line in the FLUSHOT.DAT file so that future runs of this program will not trigger FLUSHOT+.

However, if you get this message when running a program you don't think has any need to go TSR (such as the proverbial checkbook balancing program), you should be a little suspicious. Having a TSR program is not in and of itself, something to be suspicious of. But having one you don't expect --- well, that's a different story.

Most TSRs "hook into" an interrupt vector before they go TSR. These hooks might intercept and process key strokes ("hooks"), or they might hook and intercept direct disk writes themselves. In any event, FLUSHOT+ (in this version!) doesn't have the smarts to do more than advise you of the TSRing of the program. If you're truly suspicious, reboot your machine immediately!

If a program attempts to write directly to the interrupts which are reserved for disk writes, FLUSHOT+ will also be triggered and you'll see something like:

Direct Disk Write attempt by program other than DOS!

(From Interrupt (xxx))
Press "Y" to allow, "G" to go till exit,
any other key to fail.

where the (xx) represents either a 13 (indicating a direct BIOS write to the disk) or a 26 (indicating a direct DOS write). Again, pressing a "Y" or a "G" allows the operation to continue, pressing any other key will cause the operation to return a

failed status to DOS, and the operation will not take place. When FLUSHOT+ is in the 'G' state, a 'G' will appear in the upper right-hand corner of your screen.

If an attempt is made to format your disk, which may be a legitimate operation made by the DOS FORMAT program, you'll see a message such as:

Disk being formatted! Are You Sure?

Press "Y" to allow, "G" to go till exit,
any other key to fail.

which follows similarly to the direct disk write operations. You should question whether the format operation is appropriate at the time and take whatever action you think is best.

If one of your protected files is about to be written to, you'll see a message like:

Write access being attempted on: (filename)

Press "Y" to allow, "G" to go till exit,
any other key to fail.

where (filename) represents the file you're trying to protect from these write operations. Your red flag should fly, and you should question why the program currently running should cause such an operation.

You may also see the same type of message when one of your "Read-Protected" files is being accessed:

Read Access being attempted on: (filename)

Press "Y" to allow, "G" to go till exit,
any other key to fail.

Again, the same red flag should fly, but it doesn't mean that you're infected with some nasty virus program! It could be something harmless or intended. You'll have to be the judge.

Infection

Finally, you may see a message like:
CMOS has been changed!
Hit "Y" to continue, any other key to restore CMOS.

which indicates that your CMOS has been changed while you weren't looking. Or maybe you were: if you're running a setup program which changes the date or the time, or the disk type attached to your AT class machine, this message should pop up. Losing your CMOS is not fatal, but can be an annoyance. If you hit a "Y", then the new setting of the CMOS will be stored and you'll be able to continue, with alerts to any other change to the CMOS. Any other key will result in the original setting of the CMOS being restored.

How Good is FLUSHOT+, Really?

FLUSHOT+ is a pretty handy piece of code. But it can't absolutely protect you from a worm. No software can do that.

There are ways around FLUSHOT+. I'm of two minds about discussing them, since the worms out there are reading this, too. So I'll only discuss them in passing. And I'll tell you what I use here to protect myself from worms. First, though, a little story to tell you what it's like here, and

how I protect myself from getting worried. The RamNet Bulletin Board System site I run is open access. No need to register, or to leave your phone number or address, although a note to that effect is always appreciated. As mentioned above, I dare the worm to try to affect the disk of somebody who can fight back. A couple of worms have tried and I have a nice collection of Trojans and viruses. Obviously, I run FLUSHOT+ on my board, along with

checking incoming files with CHK49CMB. My procedure for testing out newly uploaded code involves me doing a backup, installing all sorts of software to monitor what is going on, and doing a checksum on all files on the disk. I then try out all of the code I get, primarily to determine if the code is of high enough quality to be posted. After testing out all of the week's uploads, I run the checksum program again to determine if any of my files might have been modified by a worm's virus program.

Recently, what looked like a decent little directory lister was posted to the board. For some reason I've yet to fathom, directory aid programs seem to be the ones

(continued on next page)

To obtain more information on FLUSHOT+, contact Ross Greenberg at Software Concepts Design, 594 Third Avenue, New York, NY 10016. Or call his BBS at (212) 889-6438 120012400 N/8/1

Controlling the

about to go TSR. If this is a program you trust (such as SideKick, or KBHIT, or a host of other TSR programs you've grown to know and love), then you should consider installing a "T=" line in the FLUSHOT.DAT file so that future runs of this program will not trigger FLUSHOT+.

However, if you get this message when running a program you don't think has any need to go TSR (such as the proverbial checkbook balancing program), you should be a little suspicious. Having a TSR program is not, in and of itself, something to be suspicious of. But having one you don't expect -- well, that's a different story.

Most TSRs "hook into" an interrupt vector before they go TSR. These hooks might intercept and process key strokes ("hotkeys"), or they might hook and intercept direct disk writes themselves. In any event, FLUSHOT+ (in this version!) doesn't have the smarts to do more than advise you of the TSRing of the program. If you're truly suspicious, reboot your machine immediately!

If a program attempts to write directly to the interrupts which are reserved for disk writes, FLUSHOT+ will also be triggered and you'll see something like:

Direct Disk Write attempt by program other than DOS!

(From Interrupt (xx))
Press "Y" to allow, "G" to go till exit, any other key to fail.

where the (xx) represents either a 13 (indicating a direct BIOS write to the disk) or a 26 (indicating a direct DOS write). Again, pressing a "Y" or a "G" allows the operation to continue, pressing any other key will cause the operation to return a

failed status to DOS, and the operation will not take place. When FLUSHOT+ is in the 'G' state, a 'G' will appear in the upper right hand corner of your screen.

If an attempt is made to format your disk, which may be a legitimate operation made by the DOS FORMAT program, you'll see a message such as:

Disk being formatted! Are You Sure?

Press "Y" to allow, "G" to go till exit, any other key to fail.

which follows similarly to the direct disk write operations. You should question whether the format operation is appropriate at the time and take whatever action you think is best.

If one of your protected files is about to be written to, you'll see a message like:

Write access being attempted on: (filename)

Press "Y" to allow, "G" to go till exit, any other key to fail.

where (filename) represents the file you're trying to protect from these write operations. Your red flag should fly, and you should question why the program currently running should cause such an operation.

You may also see the same type of message when one of your "Read-Protected" files is being accessed.

Read Access being attempted on: (filename)

Press "Y" to allow, "G" to go till exit, any other key to fail.

Again, the same red flag should fly, but it doesn't mean that you've infected with some nasty virus program! It could be something harmless or intended. You'll have to be the judge.

Infection

Finally, you may see a message like: **CMOS has been changed!**
Hit "Y" to continue, any other key to restore CMOS.

which indicates that your CMOS has been changed while you weren't looking. Or maybe you were: if you're running a setup program which changes the date or the time, or the disk type attached to your AT class machine, this message should pop up. Losing your CMOS is not fatal, but can be an annoyance. If you hit a "Y", then the new setting of the CMOS will be stored and you'll be able to continue, with alerts to any other change to the CMOS. Any other key will result in the original setting of the CMOS being restored.

How Good is FLUSHOT+, Really?

FLUSHOT+ is a pretty handy piece of code. But it can't absolutely protect you from a worm. No software can do that.

There are ways around FLUSHOT+, from a worm's point of view. FLUSHOT+, since the worms out there are reading this, too. So I'll only discuss them in passing. And I'll tell you what I use here to protect myself from worms. First, though, a little story to tell you what it's like here, and

how I protect myself from getting worried.

The RamNet Bulletin Board System site I run is open access. No need to register, or to leave your phone number or address, although a note to that effect is always appreciated. As mentioned above, I dare the worm to try to affect the disk of somebody who can fight back. A couple of worms have tried and I have a nice collection of Trojans and viruses. Obviously, I run FLUSHOT+ on my board, along with checking incoming files with CHK4SMB. My procedure for testing out newly uploaded code involves me doing a backup, installing all sorts of software to monitor what is going on, and doing a checksum on all files on the disk. I then try out all of the code I get, primarily to determine if the code is of high enough quality to be posted. After testing out all of the week's uploads, I run the checksum program again to determine if any of my files might have been modified by a worm's virus program.

Recently, what looked like a decent file directory lister was posted to the board. For some reason I've yet to fathom, directory aid programs seem to be the ones

(continued on next page)

To obtain more information on FLUSHOT+, contact Ross Greenberg at Software Concepts Design, 594 Third Avenue, New York, NY 10016. Or call his BBS at (212) 889-6438 1200/2400 N/8/1

YOUR COMPUTER COULD BE NEXT

which have the highest percentage of Trojans attached to them.

This directory aid program listed my directories in a wonderful tree structure, using different colors for different types of files. Nice program. When it exited, however, it went out and looked for a directory with the word "FLU" in it. Once it found a directory with a match in it, it proceeded to try to erase all of the files in that directory. An assault! No big deal. That's what backups are for.

But it brings up an interesting point: I was attacked by a clever worm, and it erased a bunch of files which were pretty valuable. All of the protection I had would have been for naught if I didn't use the first line of defense from these worms: full and adequate backup.

I've spent three years of my life developing one particular software package. Imagine what would have happened if that had been erased by a worm! Fortunately, I make backups at least once a day, and usually more frequently than that. You should, too.

Now, I quarantine that machine as well. I spent a couple of dollars and bought a bunch of bright red floppy disks. The basic rule around here is that Red Disks are the only disks that go into the BBS machine, and the Red Disks go into no other machine. You see, I know that there is some worm out there who is gonna find some way to infect my system. No matter what software protection I use, there is a way around it.

You needn't be concerned though -- you're making backups on a regular basis, right? And you aren't asking for trouble, I am, I expect to find it, and it is sort of

amusing to see what the worms out there are wasting their efforts on.

At this point, Trojans and viruses are becoming a hobby with me; watching what the worms try to do, figuring out a way to defend against it, and then updating the FLUSHOT series.

However, there is a possibility that the FLUSHOT series (as well as other protection programs which are just as valuable) are causing an escalation of the terms of this war. The worms out there are sick individuals. They must enjoy causing the damage they do. But they haven't the guts to stand up and actually do something in person. They prefer to hide behind a mist of anonymity.

But you have the ultimate defense! No, not the FLUSHOT+ program.

Full and adequate backups!

There are a variety of very good backup programs which can save you more work than you can imagine. I use the FASTBACK+ program, which is a great little program. I backup 30 megs once in a while, and do an incremental backup on a very frequent basis. There are a variety of very good commercial, public domain, and shareware backup programs out there. Use them! Because, no matter what software protection you use, somebody will find a way around it one day. But they can't find a way around your backups. And, if you (and everyone else) do regular backups, you'll remove the only joy in life these worms have. They'll kill themselves, hopefully, and an entire subspecies will be wiped out -- and you'll be partially responsible!

My advance thanks for helping to exterminate these little slimebuckets.

(continued from page 27)

waiting (by dialing *70 or 1170). On the very next page is a news release from Bellcore about deluxe call waiting, which lies about the newest "multitasked" feature to suspend call waiting. As usual, the liars want to charge for a "new" feature which already exists. This is typical of the genius mind of Ma Bell. I hope that you will illustrate this abuse in your summer issue.

Also, I have mixed feelings regarding the quarterly format. But, as usual, it's worth the wait.

GH

We actually did point that injustice out in a previous issue. While it isn't completely a lie it seems somebody did invent something a little bit different that does basically the same thing as the old "70", it certainly qualifies as misleading the public.

New Falwell

Numbers

Dear 2600:

I just got ahold of the new toll-free numbers for Jerry Falwell's All Time Gospel Hour! They are 800-345-8095 and 800-453-3800.

A True Believer

SUMMERTIME LETTERS

It's amazing how popular these numbers are in the hacker world. We did a little checking five called 800 bifo) and got 800-325-3388. Three toll-free numbers! Scary, isn't it?

What is Sprint Up To?

Dear 2600:

The very day that I received your Spring issue, I also got my Sprint bill. I read your issue first, of course, and I didn't touch my bill until I read your little blurb about Sprint's billing system in your "Happenings" column. And was I in for a surprise.

My bill was a total mess! Sprint had done two things to my bill as far as I could fathom from the mess printed on those pages. 1) They had charged me for busy signal calls. 2) They had chopped up large calls into 4 or 5 smaller calls.

I called Sprint right away and had it out with the billing person. He gave me credit for all of the one minute busy calls (about 40 altogether). As for why they did this in the first place I don't know. Is their billing computer really that messed up that they can't keep track of the status of a call? They must have a lot of this happening, because he gave

2600 LETTERS

2600 Marketplace

me credit without too much of a problem.

As for the chopped up calls, that's a different matter altogether. He refused to change my billing to make the series of smaller calls into one big call. I'll have to write the company about that one.

Here is what I would like you guys to think about: We all know about those thieves who reprogram a bank's computer to shave off .00001 percent of all the accounts in the bank and drop it into another account for themselves. The small amount taken from the individual accounts will be insignificant for anyone to notice, but the total amount can be quite large. Well, here we have a long distance company that is cutting up callers' long calls into smaller calls and then charging the callers more for the first minute on all of the small calls. This amount is small and I don't really care about it. But if they're doing this to ALL callers--how much are they actually making per month?

**Cray-Z Phreaker
Skunk Works**

What you're implying here is a very serious matter. If Sprint is in fact doing this, they could be facing an awful lot of trouble (something a lot of phone phreakers would no doubt relate to). Let's find out for sure. Let's all put them to the test and keep logs. In fact, why not do it for all of the companies?

If you have a letter for us, send it to:
**2600 Letters
P.O. Box 99
Middle Island, NY 11953**
Or send it electronically using our bulletin boards or network addresses listed in our staffbox.

NON-VAX BBS BY JOHN DEAKS	
Scotline	3:20:22:46
Big Ed	2:45:58:55
Com & Window	3:15:26:15
DAK BBS	2:12:58:27
DAKSN	3:45:58:52
Quadsline	2:52:52:52
Party Time V.14	2:32:49:52
Barone (L) v.14	2:30:17:42
Big Red BBS	4:31:49:46
147 S&G 3.35	3:35:45:74
147 S&G 3.35	2:38:46:06
MAIL-11/58	4:27:21:22
THIS	2:18:50:00
Linkle (unapproved)	4:51:21:26
Apple 000	6:08:27:50:56
Apple	6:08:27:55:55
Blue Toner	4:14:52:52
The Dial Line	6:49:2:17:4
ALAPBBS	6:12:26:6:3
908	2:02:34:16
And	6:02:37:04:4
Nice To	1:47:40:02
Negs Answer	7:53:08:56
Trigp2kx (V.2)	0:57:39:03
AMERICAN BBS	2:04:47:53
Phreaker Files	04:13:54:53:07
DIALS	04:23:25:37:02
	8:25:36

THANKS TO DENNIS POWELL
AND WALTER RAY
FOR THESE
BBS LISTINGS
000 03 10:27

WANTED copied (dead) or alive! TAP's 'C' & 'D' elec. courses. Cassette tape (TAP exclusive), & fact sheets #1-4. Have any or all? Contact me--willing to pay good money for orig's. Barton, 84 Daphne Cres., Barrie, Ontario L4M 2Y9. (705-726-6617)

WANTED: All newer hardware you find a must to quickly get rid of. Product evaluations are welcomed. Also looking for Technics SL1200 and any information related to pirate radio (including stories written by ex-pirates, groups, equipment information, FCC) for a write-up. David Jon Hyams, E 9116 Sprague Av., 111, Spokane, WA 99206.

SELLING: Send your ad to: 2600 Marketplace, P.O. Box 99, Middle Island, NY 11953. A b b i e Hoffman's include your address label. Only people please, no businesses.

Steal This: Book: \$7.95 + \$2 shipping & handling. Marco, P.O. Box 1211, Westerly, RI 02891.

FOR SALE: Ultimate blue box. Berry Electronics Model 312A trunk test set, has rotary dial/MF keypad, monitor speaker. Uses L-C oscillators. VERY stable. Can be used as Sid phone when head/handset added. \$250. Write: Testset, 6715 Eberlein Ave., Klamath Falls, OR 97603.

WANTED: Any hacker and phreaker software for IBM compatible and Hayes compatible modem. If you are selling or know anyone who is, send replies to A.H. Moon, 25 Amarant Ct., Toronto, ONT., Canada M6A 2P7.

WOULD YOU LIKE TO MAKE SOME MONEY? Big money? Send a business sized S.A.S.E. to: J. Duffy, 408 Mitchell St., Ridley Park, PA 19078. This plan is completely LEGAL. **QUALITY TAP REPRINTS.** Complete set (#1-91) punched and bound. High quality copies with all special supplementals. \$75/set, shipped UPS or USPS or \$90/set shipped Federal Express. Money orders only, payable to Jeff T.Z.G. P.O. Box 1515, Columbus, NE 68601-1515.

WANTED: G-file "Better Homes and Blueboxing Part 2" by Mark Tabas. If anyone can provide a hardcopy, please send it to JRE, 1447 Crikler Dr., Cleveland, OH 44107.

TAP BACK Do you have something to sell? Are you looking for something to buy? Or traded? This is the place! The 2600 Marketplace is free to subscribers! Send your ad to: 2600 Marketplace, P.O. Box 99, Middle Island, NY 11953. Include your address label. Only people please, no businesses.

ISSUES, complete set Vol I-90 of QUALITY copies from originals. Includes schematics and indexes. \$100 postpaid via UPS or First Class Mail. Cash/MO sent same day, checks to Pete C., P.O. Box 463, Mt. Laurel, NJ 08054. We are the original; all others are copies!

FOR SALE: Oxidix Microline 92 personal printer. Includes manual for instructions. Hardly used. Make an offer and if it's reasonable, I will pay postage. Matt Kelly, 310 Isbell, Howell, MI 48843.

2600 MEETINGS. First Friday of the month at the Chicorp Center--from 6 to 8 pm in the Market (also known as the lobby with the tables where all of the weirdos hang out). Located at 153 East 53rd Street, New York City. Come by, drop off articles, ask questions. Call 516-751-2680 for still more info. Deadline for Autumn Issue: 9/31/88.

VI. KEEP YOUR ADDRESS CURRENT

To avoid the Central and the parties to the parties to the members of the Class, please notify the Class of the Court of any change of address. All checks of claims, production matters, and fee of production to appear, collect back, and other communications must be addressed to:

Class of the United States Bankers Court
Eastern District of Michigan
Attn: Class Counsel
P. O. Box 277
Ann Arbor, Michigan 48105

ENTRUSTED BY CHECKER OF:
Herbert A. Abrams, Deputy Justice
United States Supreme Court
Eastern District of Michigan
Detroit, Michigan
Class Counsel
United States District Court
Eastern District of Michigan
Detroit, Michigan

Date: March 30, 1988

PROOF OF CLAIM

To participate in the settlement, you must complete this Proof of Claim and mail it (along with the address book listed in the Clerk of the United States District Court, Eastern District of Michigan, Attn: Class Action, P. O. Box 277, Fenton, Michigan 48835. This Proof of Claim must be postmarked on or before July 31, 1988. Failure to file by this date will result in your claim being barred.

1. Name of claimant _____
Address _____
City _____
State _____
Zip _____

2. Telephone number where you can be reached during business hours () _____
Home and position of person conducting the business () _____

3. Check here if claimant is currently an active subject to:
A. _____
B. _____
C. _____

4. Please check one of the four options listed below. Please provide the information requested:
A. Standard Cash Refund B. Standard Cash Refund
C. Standard Cash Refund D. Standard Cash Refund

5. Please check one of the four options listed below. Please provide the information requested:
A. Standard Cash Refund B. Standard Cash Refund
C. Standard Cash Refund D. Standard Cash Refund

6. Please check one of the four options listed below. Please provide the information requested:
A. Standard Cash Refund B. Standard Cash Refund
C. Standard Cash Refund D. Standard Cash Refund

7. Please check one of the four options listed below. Please provide the information requested:
A. Standard Cash Refund B. Standard Cash Refund
C. Standard Cash Refund D. Standard Cash Refund

8. Please check one of the four options listed below. Please provide the information requested:
A. Standard Cash Refund B. Standard Cash Refund
C. Standard Cash Refund D. Standard Cash Refund

9. Please check one of the four options listed below. Please provide the information requested:
A. Standard Cash Refund B. Standard Cash Refund
C. Standard Cash Refund D. Standard Cash Refund

10. Please check one of the four options listed below. Please provide the information requested:
A. Standard Cash Refund B. Standard Cash Refund
C. Standard Cash Refund D. Standard Cash Refund

11. Please check one of the four options listed below. Please provide the information requested:
A. Standard Cash Refund B. Standard Cash Refund
C. Standard Cash Refund D. Standard Cash Refund

12. Please check one of the four options listed below. Please provide the information requested:
A. Standard Cash Refund B. Standard Cash Refund
C. Standard Cash Refund D. Standard Cash Refund

13. Please check one of the four options listed below. Please provide the information requested:
A. Standard Cash Refund B. Standard Cash Refund
C. Standard Cash Refund D. Standard Cash Refund

14. Please check one of the four options listed below. Please provide the information requested:
A. Standard Cash Refund B. Standard Cash Refund
C. Standard Cash Refund D. Standard Cash Refund

15. Please check one of the four options listed below. Please provide the information requested:
A. Standard Cash Refund B. Standard Cash Refund
C. Standard Cash Refund D. Standard Cash Refund

16. Please check one of the four options listed below. Please provide the information requested:
A. Standard Cash Refund B. Standard Cash Refund
C. Standard Cash Refund D. Standard Cash Refund

17. Please check one of the four options listed below. Please provide the information requested:
A. Standard Cash Refund B. Standard Cash Refund
C. Standard Cash Refund D. Standard Cash Refund

18. Please check one of the four options listed below. Please provide the information requested:
A. Standard Cash Refund B. Standard Cash Refund
C. Standard Cash Refund D. Standard Cash Refund

19. Please check one of the four options listed below. Please provide the information requested:
A. Standard Cash Refund B. Standard Cash Refund
C. Standard Cash Refund D. Standard Cash Refund

20. Please check one of the four options listed below. Please provide the information requested:
A. Standard Cash Refund B. Standard Cash Refund
C. Standard Cash Refund D. Standard Cash Refund

21. Please check one of the four options listed below. Please provide the information requested:
A. Standard Cash Refund B. Standard Cash Refund
C. Standard Cash Refund D. Standard Cash Refund

22. Please check one of the four options listed below. Please provide the information requested:
A. Standard Cash Refund B. Standard Cash Refund
C. Standard Cash Refund D. Standard Cash Refund

23. Please check one of the four options listed below. Please provide the information requested:
A. Standard Cash Refund B. Standard Cash Refund
C. Standard Cash Refund D. Standard Cash Refund

24. Please check one of the four options listed below. Please provide the information requested:
A. Standard Cash Refund B. Standard Cash Refund
C. Standard Cash Refund D. Standard Cash Refund

25. Please check one of the four options listed below. Please provide the information requested:
A. Standard Cash Refund B. Standard Cash Refund
C. Standard Cash Refund D. Standard Cash Refund

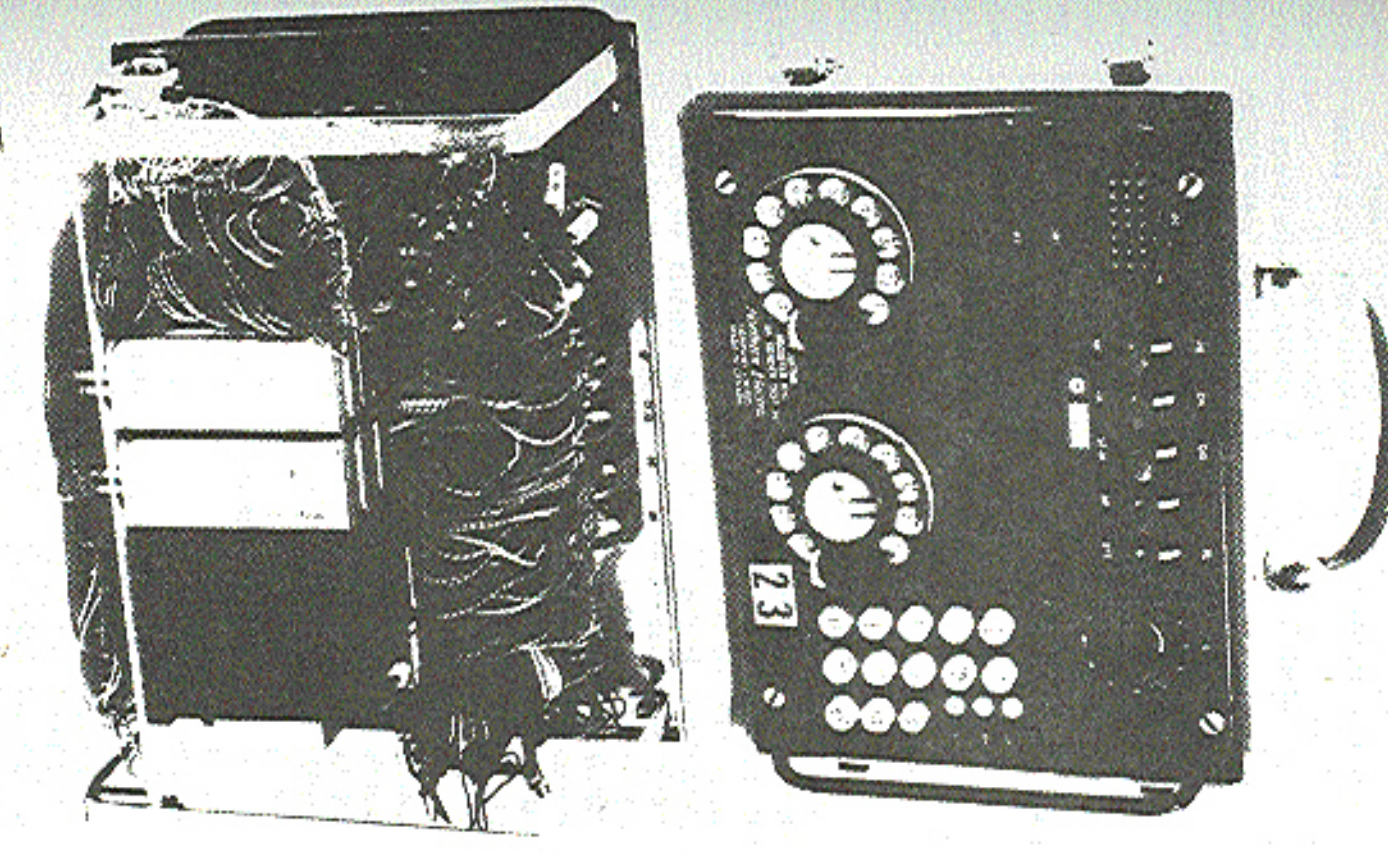
26. Please check one of the four options listed below. Please provide the information requested:
A. Standard Cash Refund B. Standard Cash Refund
C. Standard Cash Refund D. Standard Cash Refund

27. Please check one of the four options listed below. Please provide the information requested:
A. Standard Cash Refund B. Standard Cash Refund
C. Standard Cash Refund D. Standard Cash Refund

28. Please check one of the four options listed below. Please provide the information requested:
A. Standard Cash Refund B. Standard Cash Refund
C. Standard Cash Refund D. Standard Cash Refund

29. Please check one of the four options listed below. Please provide the information requested:
A. Standard Cash Refund B. Standard Cash Refund
C. Standard Cash Refund D. Standard Cash Refund

30. Please check one of the four options listed below. Please provide the information requested:
A. Standard Cash Refund B. Standard Cash Refund
C. Standard Cash Refund D. Standard Cash Refund



NOTICE

Does your address label say "Time to Renew"? Don't miss an issue. Renew your subscription today and enjoy peace of mind. Simply indicate the amount enclosed and which, if any, back issues you want. Your address label should be on the back of this form.

\$15	1 year of 2600
\$28	2 years of 2600
\$41	3 years of 2600
\$40	1 year corporate subscription
\$75	2 year corporate subscription
\$110	3 year corporate subscription
\$25	overseas subscription (1 year only)
\$55	overseas corporate subscription (1 year only)
\$260	lifetime subscription (never again will we bother you)

Back issues are available. Prices are:

\$25	1984, 1985, or 1986 issues (12 per year)
\$50	Any two years
\$75	All three years (36 issues)
	(Overseas orders add \$5 for each year ordered)
	Allow 4 to 6 weeks for delivery.

**1987 ISSUES
ALSO AVAILABLE!**

Send all orders to:
2600
PO Box 752
Middle Island, NY 11953 U.S.A.
(516) 751-2600

AMOUNT ENCLOSED FOR SUBSCRIPTION: _____
AMOUNT ENCLOSED FOR BACK ISSUES: _____

1984 1985 1986 (circle years ordered)

TOTAL AMOUNT ENCLOSED: _____

(clip and send to us—your address is on the back)

- (1212)970-6747, 4848, 7272, 7979, 8080, 8686, 8787, 9090, 9494, 9898, 9999 See Lines
 (213)617-2287 976 Backdoor
 (213)617-8284 976 Backdoor
 (213)935-1111 Sweep Tone Test
 (214)357-8686 Sweep Tone Test
 (215)360-0052 Packet Switch
 (215)538-7032 Packet Switch
 (215)610-X11X Kingback (215 N-H)
 (215)698-0049 Sweep Tone Test
 (215)867-1212 W710 Weatherline
 (303)363-5929 Bridge
 (312)592-6888 Bridge
 (313)424-0900 Mich. Bell Automated CN/A
 (313)827-7151 Bridge
 (412)633-3333 AT&T Newsline, PA
 (415)284-1111 Sweep Tone Test
 (513)375-8580 Bridge
 (513)241-8580 Bridge
 (603)226-3949 Bridge
 (617)494-9900 Sweep Tone Test
 (619)375-1234 Time & Temperature
 (711)255-5555 AT&T Newsline, PA
 (718)528-9979 Sweep Tone Test
 (800)222-TALK Consolidated Connection Talking Yellow Pages
 (800)223-3331 Bank-By-Phone
 (800)225-0233 Conference Operator
 (800)228-0014 CC Check (wait # after tone)
 (800)228-0032 CC Check (wait #)
 (800)228-9901 CC Check
 (800)233-3336 Discover Check
 (800)257-TALK Money Talk
 (800)325-5555 AT&T service report/checks?
 (800)327-1111 Visa/Mastercard Check
 (800)433-4424 Discover Check
 (800)424-5454 Fraud Hotline
 (800)424-9030 Write House Press Line
 (800)445-3034 Sprint Operator
 (800)526-3366 Jan DeLo holding
 (800)527-6178 Midas Touch Credit Check
 (800)528-2121 American Express Card
 (800)554-2265 Visa Check
 (800)692-8766 Atison Voice Message DeLo
 (800)732-2255 "High Seas" Operator

Originally uploaded to:
 =====
 Acilents
 Digital Logic
 Deacon Roach Underground
 The Central Office